

# COMPUTER DESK ASSEMBLY INSTRUCTIONS

Thank you for choosing to purchase from Piranha Furniture. We trust everything is as expected, however if there are **ANY** issues at all or you have further questions, please don't hesitate to email us and we will resolve the matter as quickly as possible:

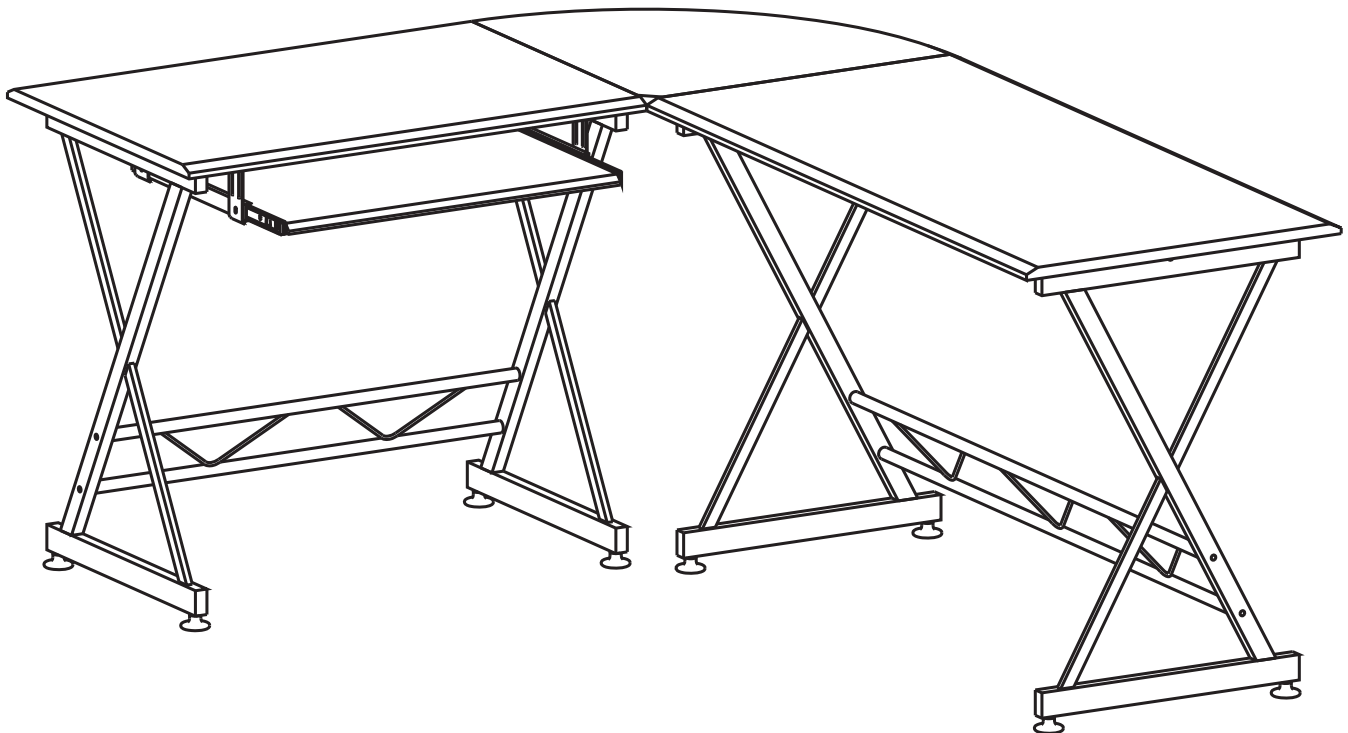
United Kingdom: [sales@piranhafurniture.com](mailto:sales@piranhafurniture.com)

Rest of EU: [info@piranhaeurope.com](mailto:info@piranhaeurope.com)

You can contact us through our website [www.piranhafurniture.com](http://www.piranhafurniture.com) where you will also find our full range of products.

**Please read the assembly instructions carefully before the installation**

Retain all packaging as, if required, goods must be returned packed in the original cartons.



**TWO PEOPLE REQUIRED**

**MODEL PC9**

**General Care:**

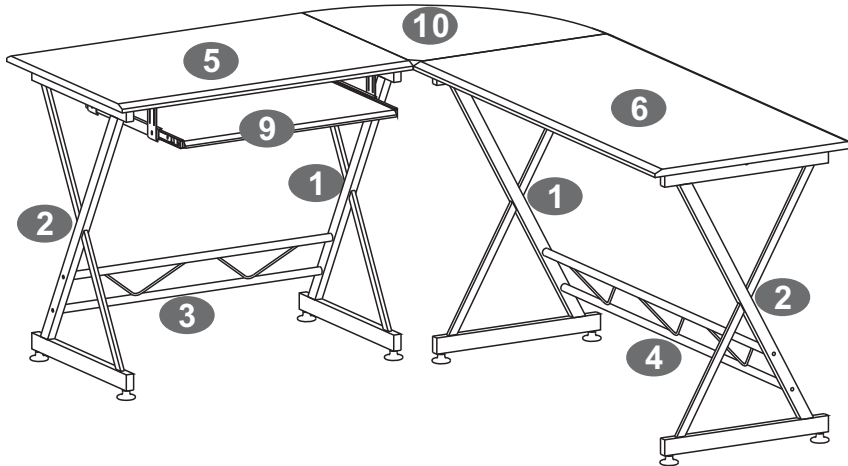
Keep furniture out of direct sunlight. Use mats and coasters to protect surfaces.  
Do not place hot or wet items directly onto unprotected surfaces.

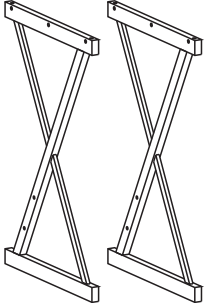
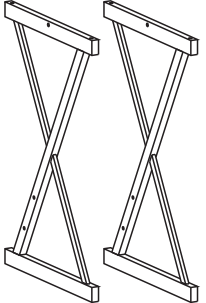
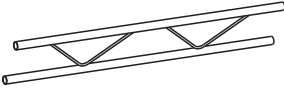
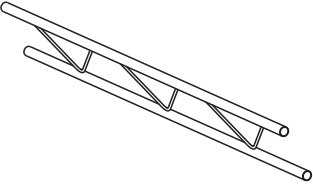


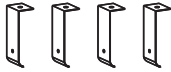
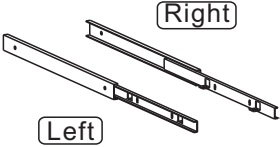



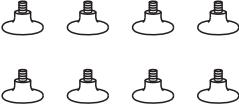
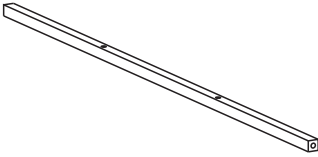
**Cleaning:**

Wipe surfaces with a clean damp (not wet) cloth then dry with a clean lint free cotton cloth.  
Glass surfaces may be polished with window or other glass cleaning liquids.



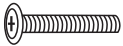
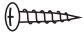
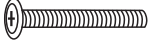


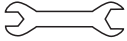
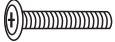
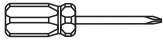

# ■PARTS LIST



 <p>1</p>	 <p>2</p>	 <p>3</p>	 <p>4</p>
 <p>5</p> <p>Short Tabletop Panel</p>	 <p>6</p> <p>Long Tabletop Panel</p>	 <p>7</p>	 <p>8</p> <p>Right</p> <p>Left</p>
 <p>9</p> <p>Keyboard Tray Panel</p>	 <p>10</p> <p>Corner Tabletop Panel</p>	 <p>11</p>	 <p>12</p>
 <p>13</p>			

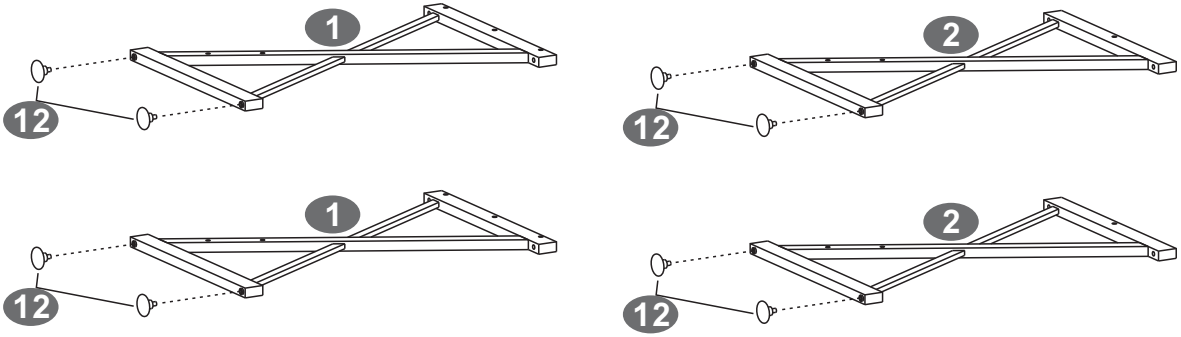


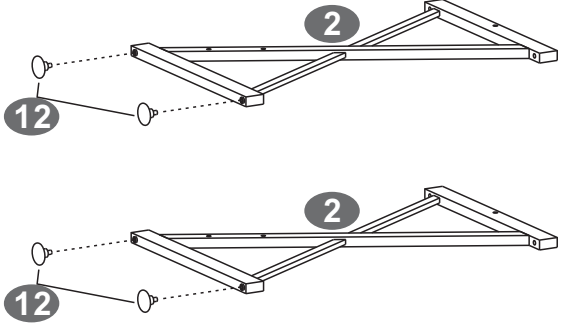
▪SCREWS LIST

PART	QTY.	ITEM		PART	QTY.	ITEM	
<b>A</b>	10	6X35 MM		<b>F</b>	4	4X14 MM	
<b>B</b>	8	6X50 MM		<b>G</b>	4	M6	
<b>C</b>	8	6X12 MM			1		
<b>D</b>	6	6X30 MM			1		
<b>E</b>	4	4X4 MM					

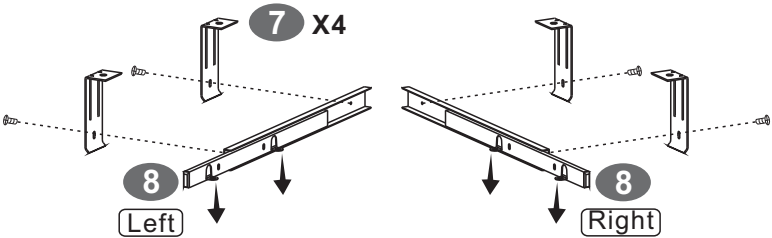
▪ ASSEMBLY STEPS:

**1**







**2**

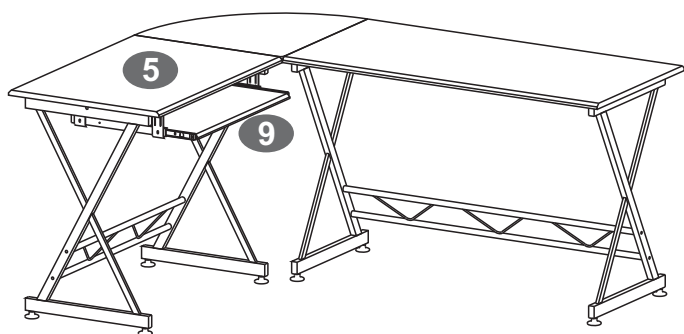
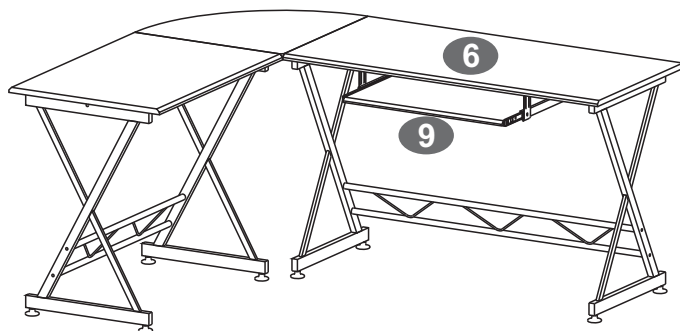
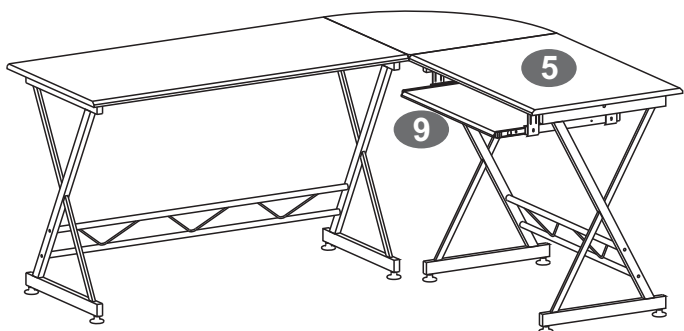
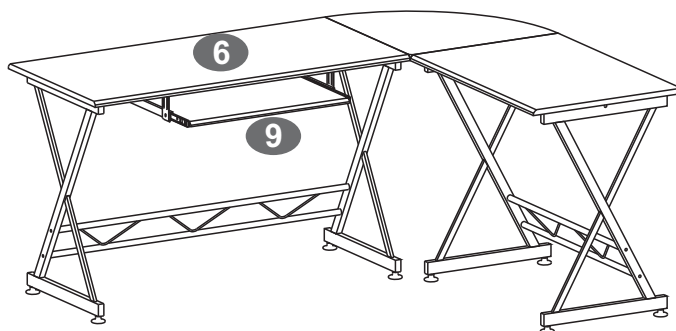


▪SCREWS

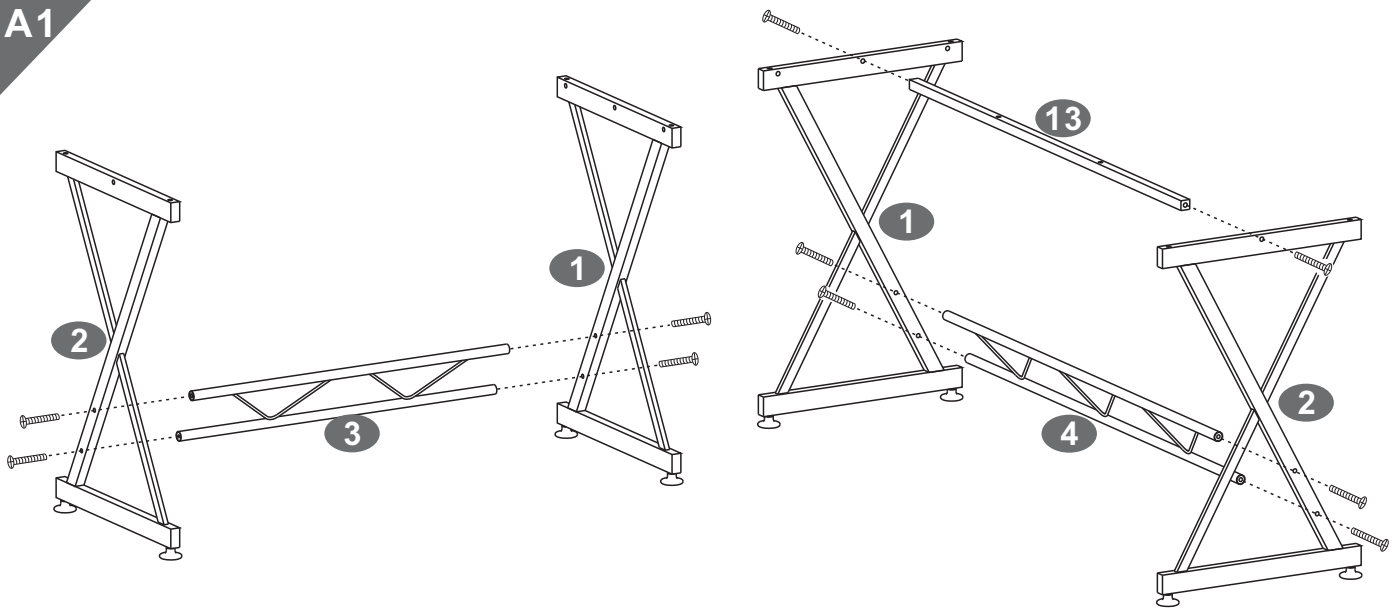
**E** 4X4 MM 

4PCS 

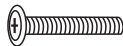

**\*\* There are 4 options to assemble our desk, please choose it according to your preference.**

**A**A1-A7**B**B1-B7**C**C1-C7**D**D1-D7

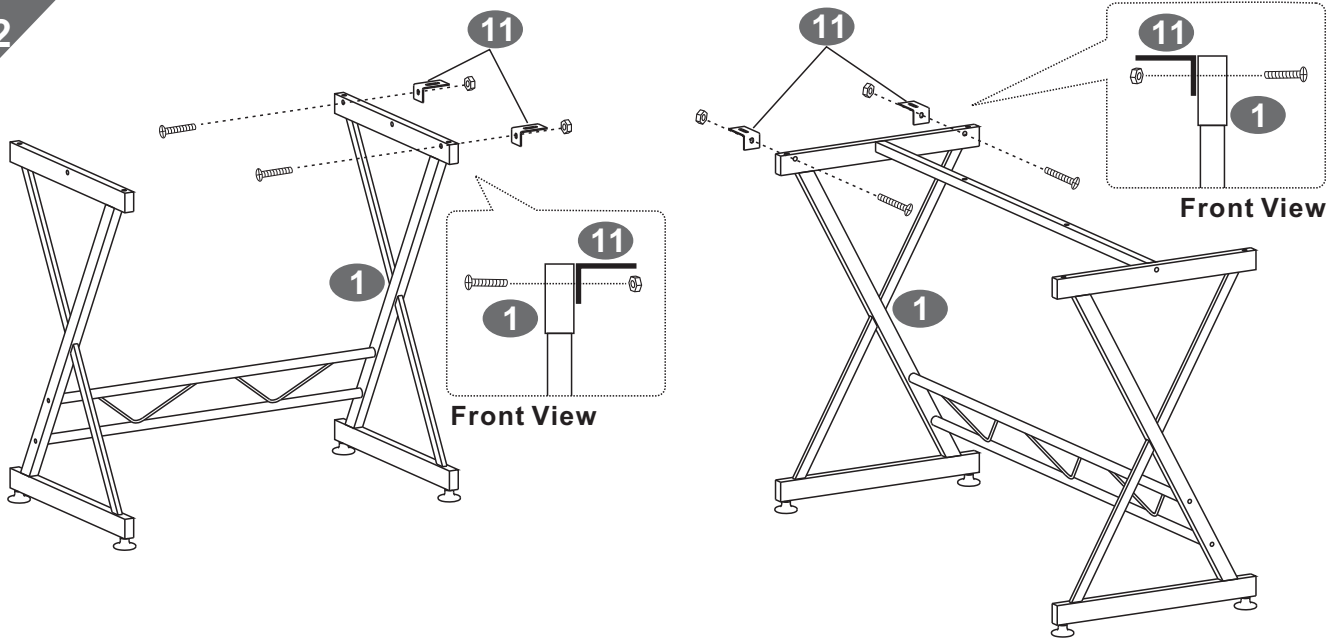
A1





▪ SCREWS



**A** 6X35 MM  10PCS 

A2



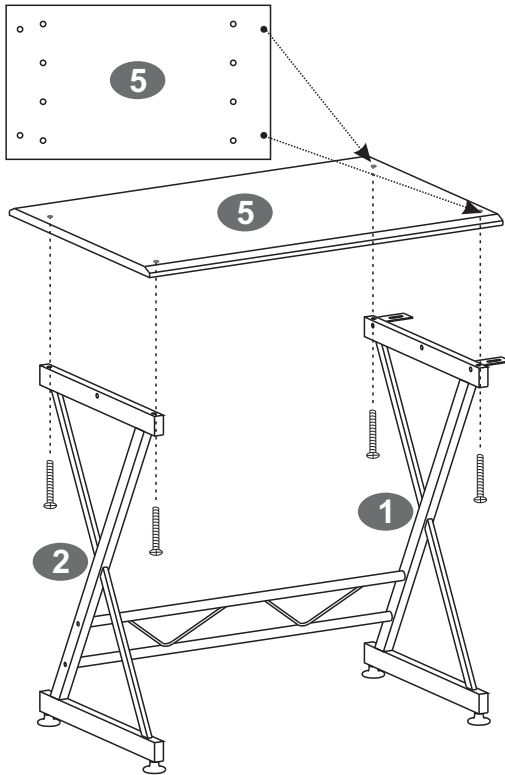
▪ SCREWS

**D** 6X30 MM  4PCS 

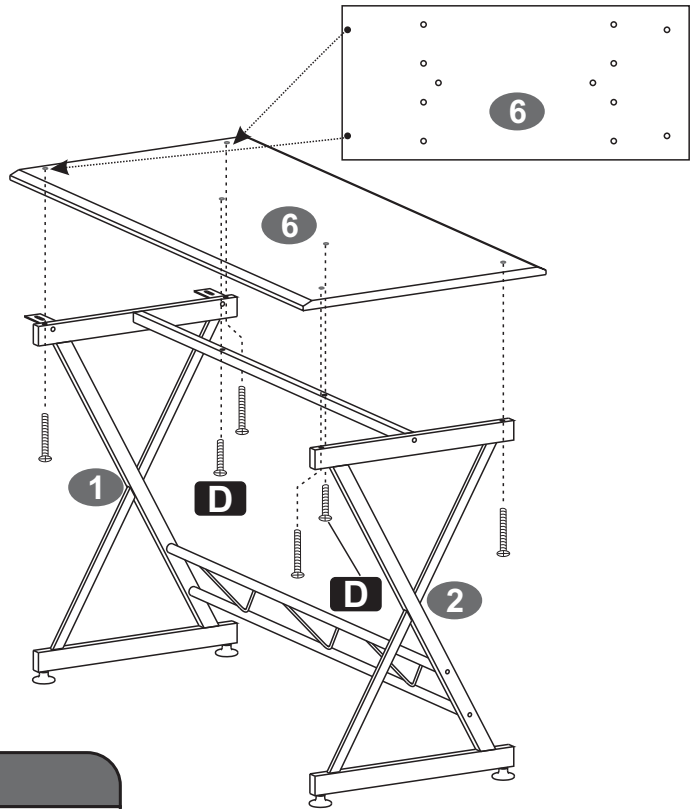
**G** M6  4PCS 

A3

Underside View  
Short Tabletop Panel



Underside View  
Long Tabletop Panel



▪ SCREWS

**B** 6X50 MM  
8PCS

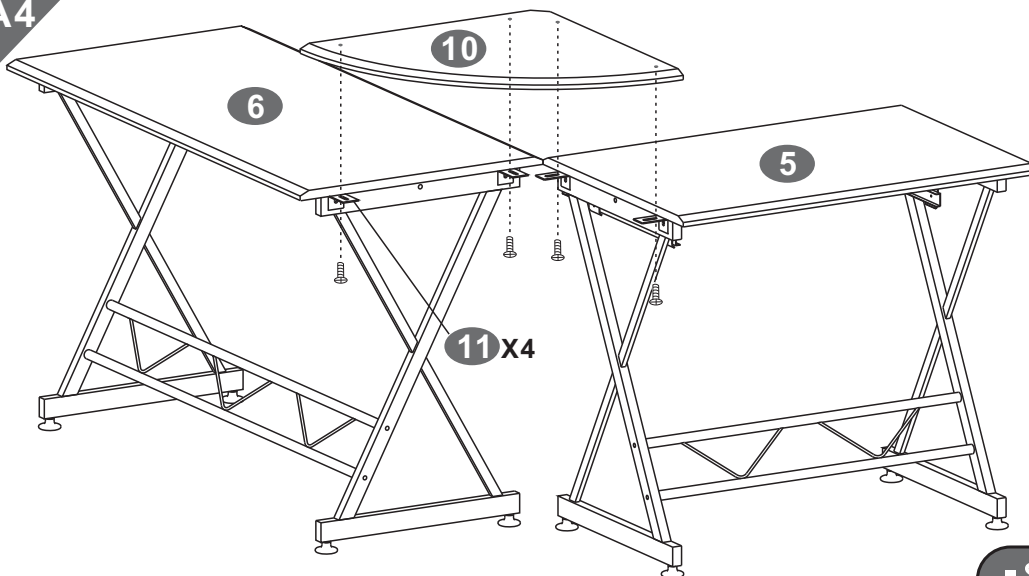


▪ SCREWS

**D** 6X30 MM  
2PCS



A4

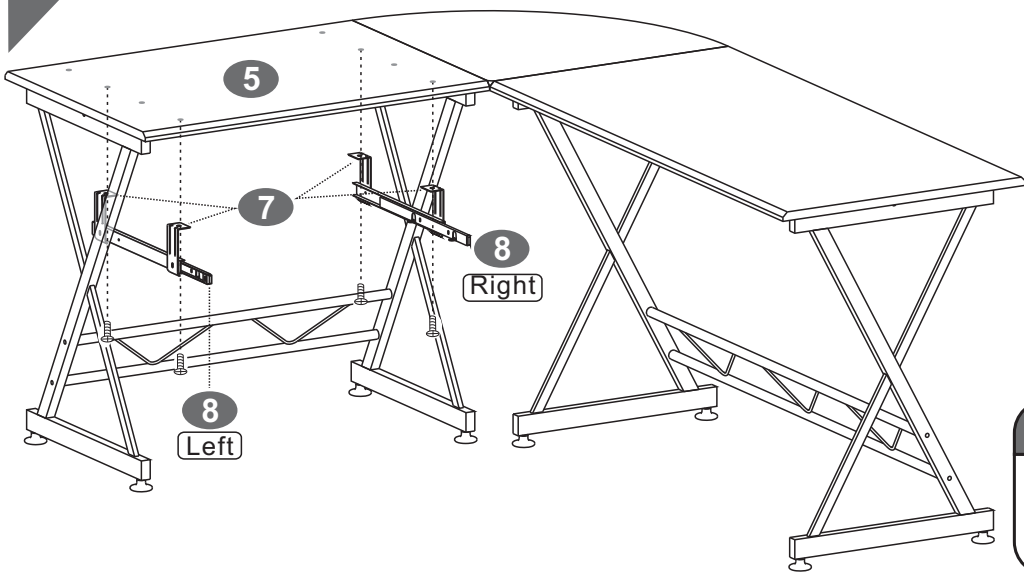


▪ SCREWS



**C** 6X12 MM  
4PCS




A5

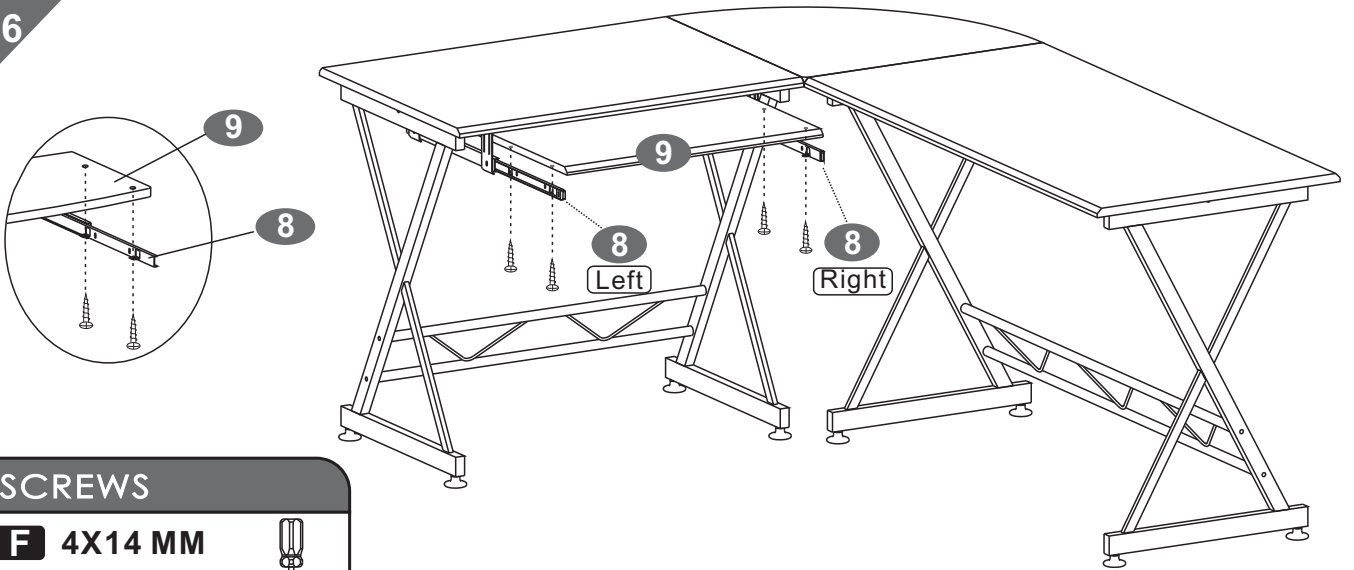


■ SCREWS


**C** 6X12 MM  

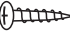
 4PCS

A6

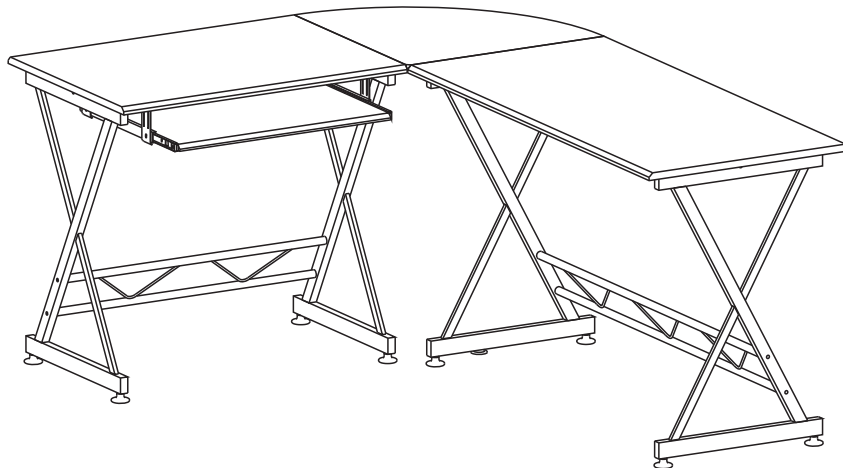


■ SCREWS

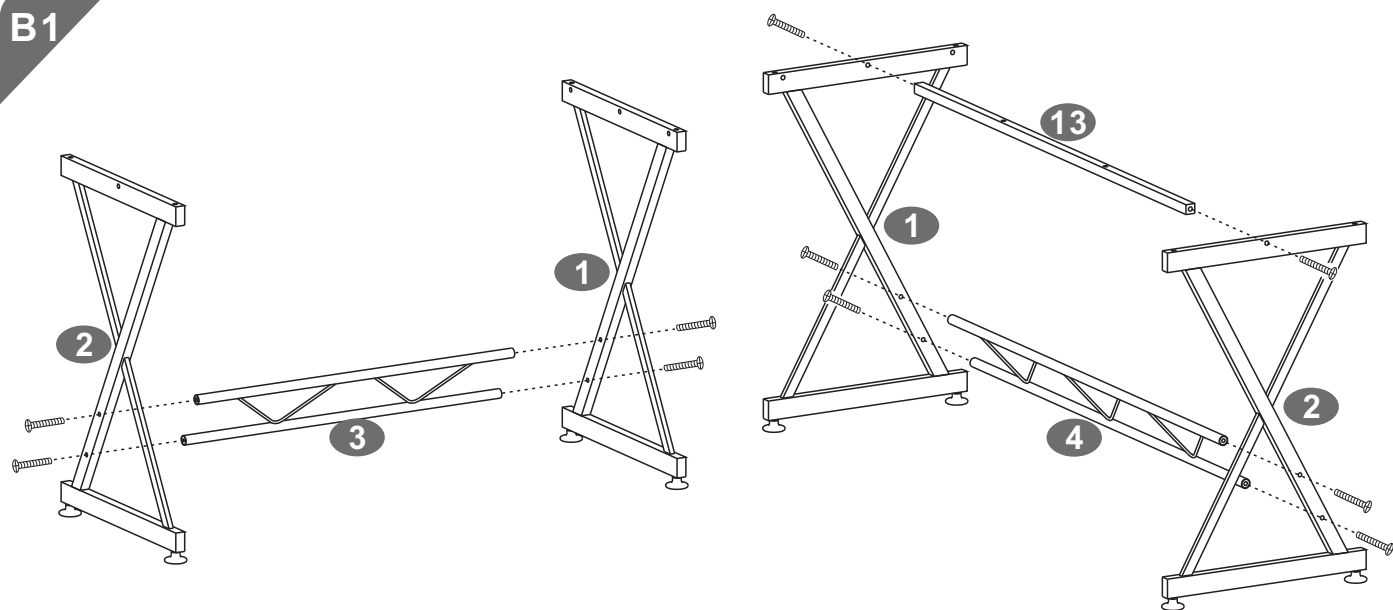
**F** 4X14 MM 

 4PCS

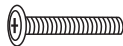

A7



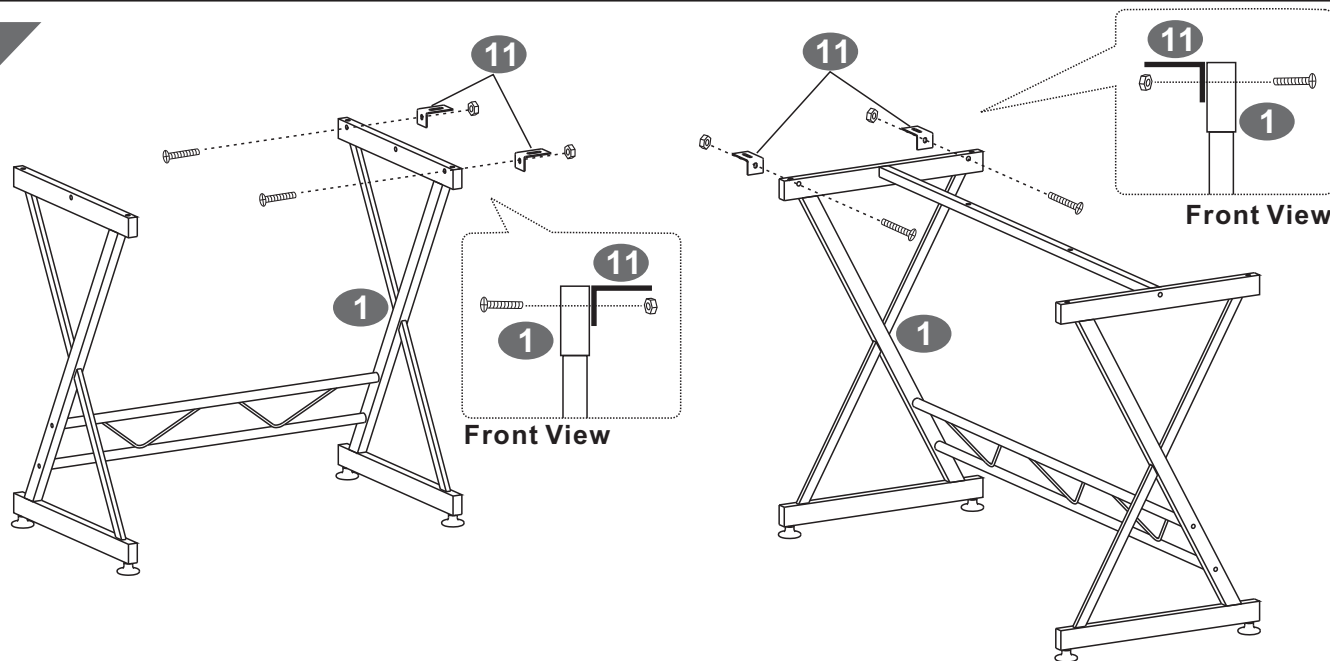
B1





▪ SCREWS



**A** 6X35 MM  10PCS 

B2



▪ SCREWS

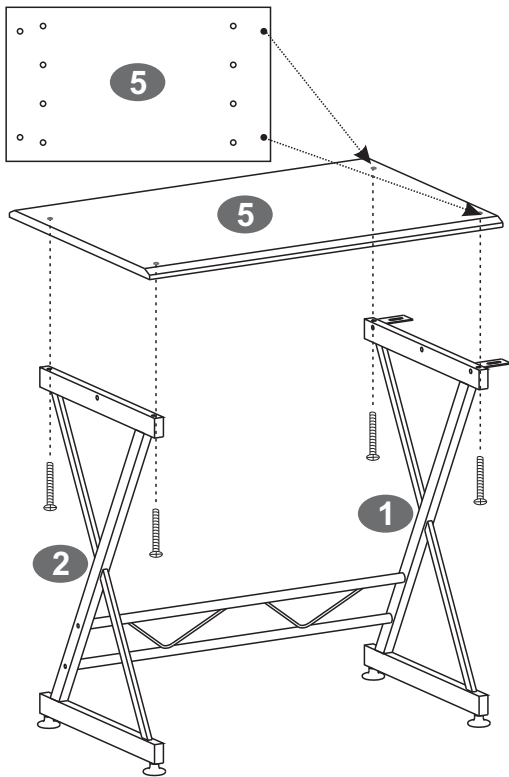
**D** 6X30 MM  4PCS 

**G** M6  4PCS 

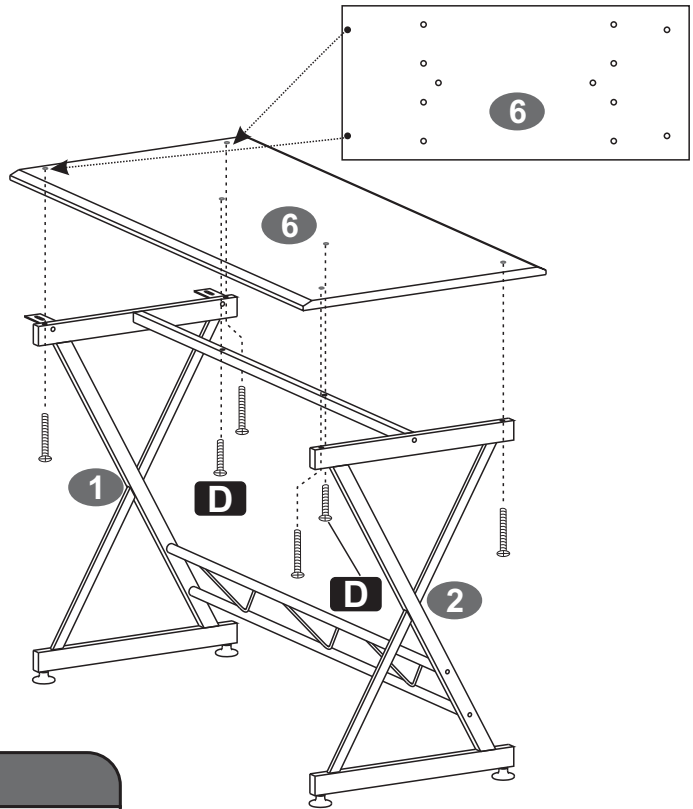


**B3**

**Underside View**  
Short Tabletop Panel



**Underside View**  
Long Tabletop Panel



▪ SCREWS

**B** 6X50 MM  
8PCS

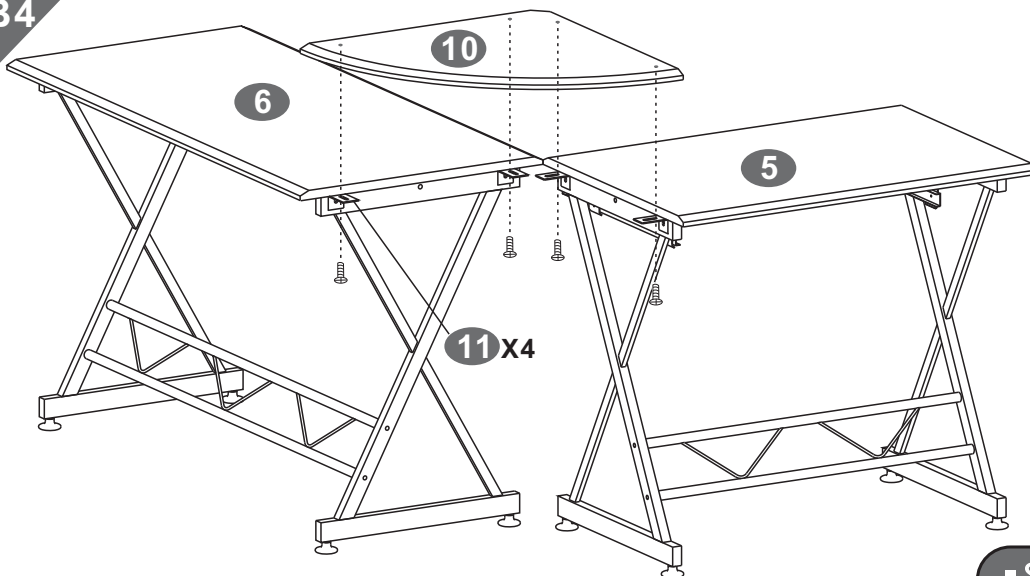


▪ SCREWS

**D** 6X30 MM  
2PCS



**B4**

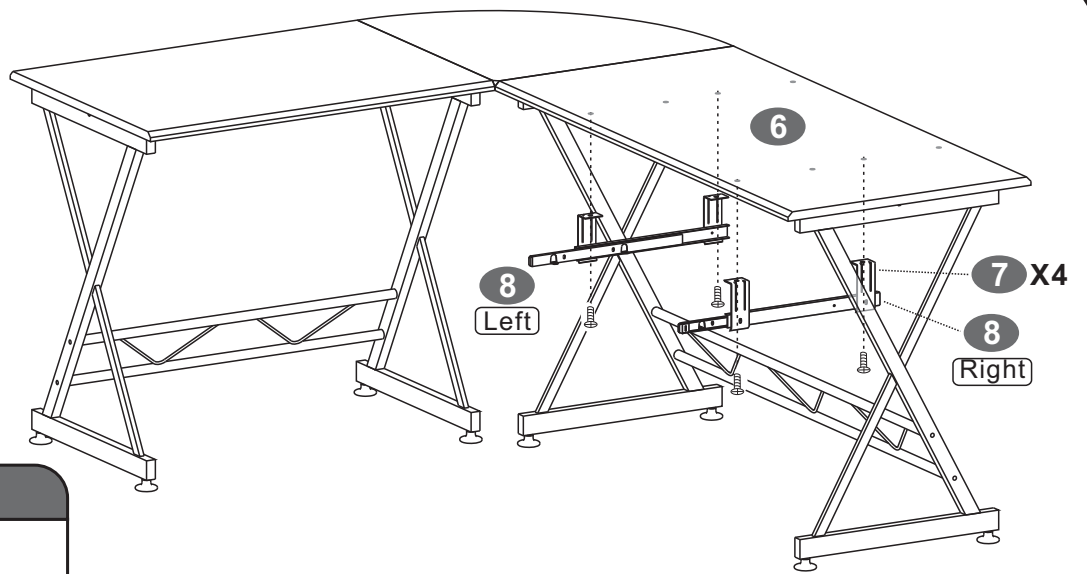


▪ SCREWS

**C** 6X12 MM  
4PCS



B5



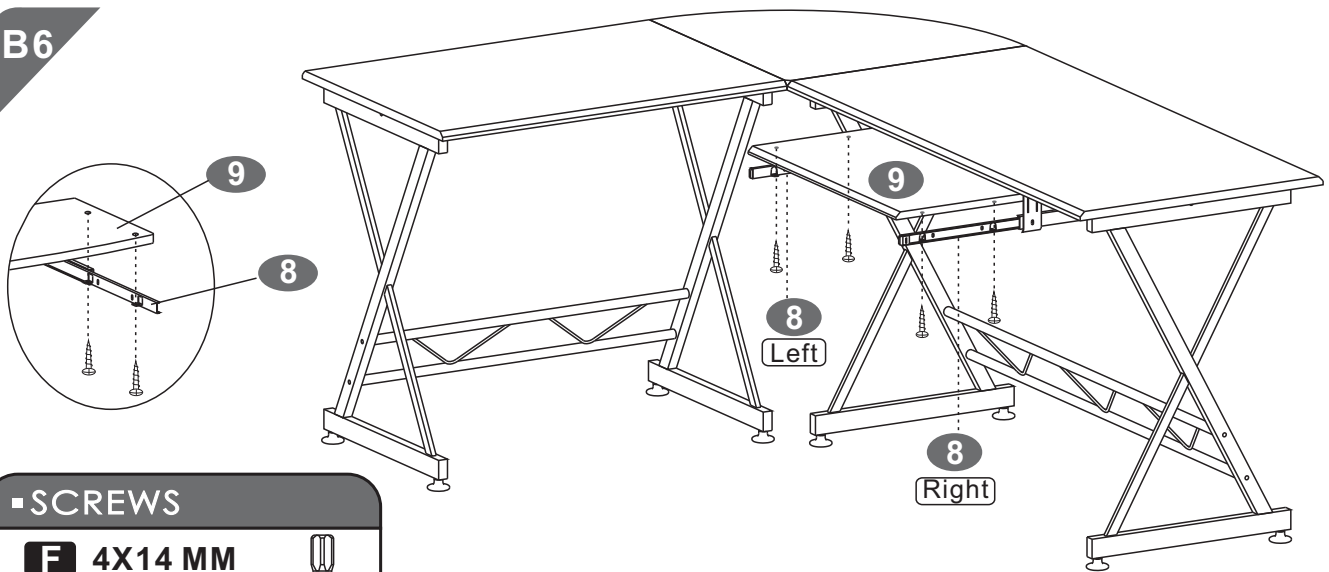
▪ SCREWS

**C** 6X12 MM

4PCS



B6



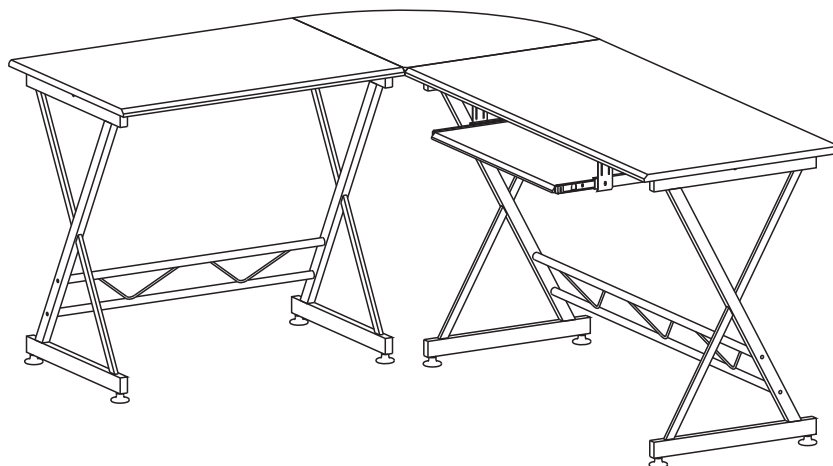
▪ SCREWS

**F** 4X14 MM

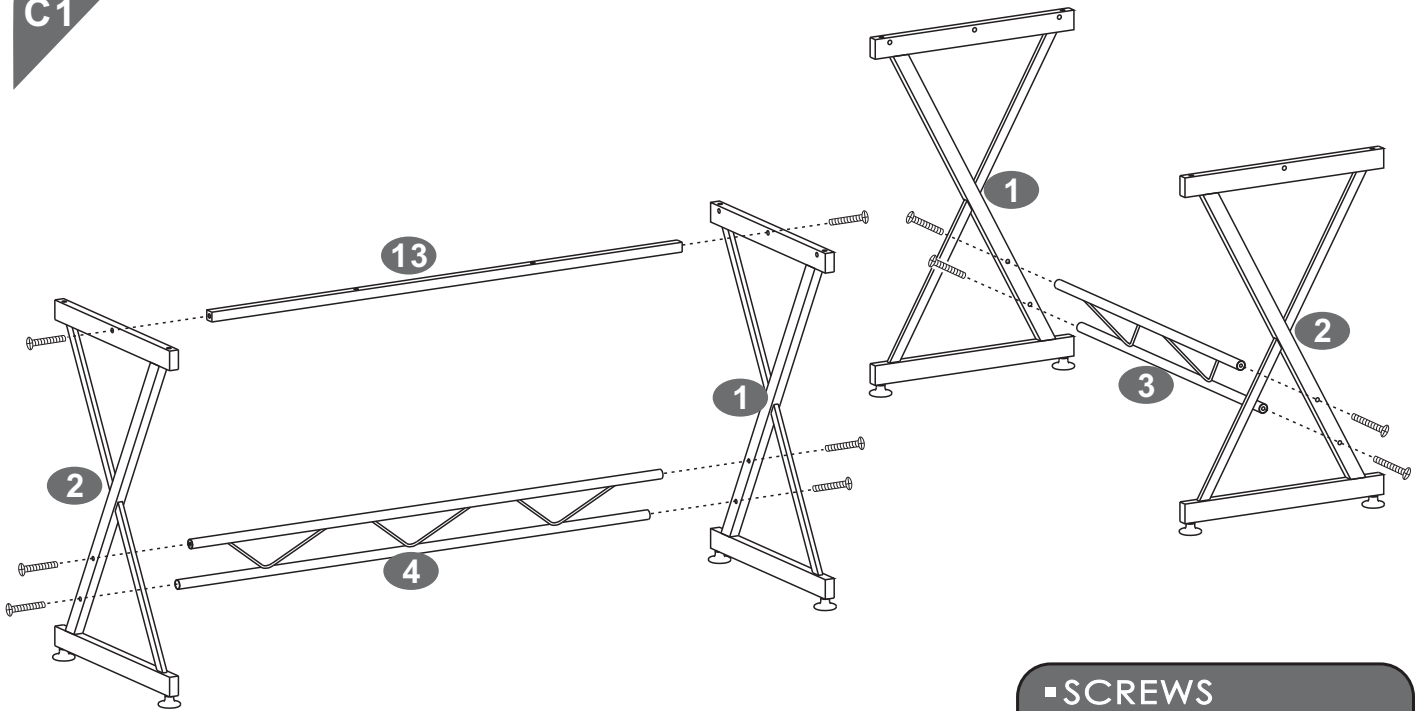
4PCS



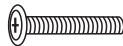

B7



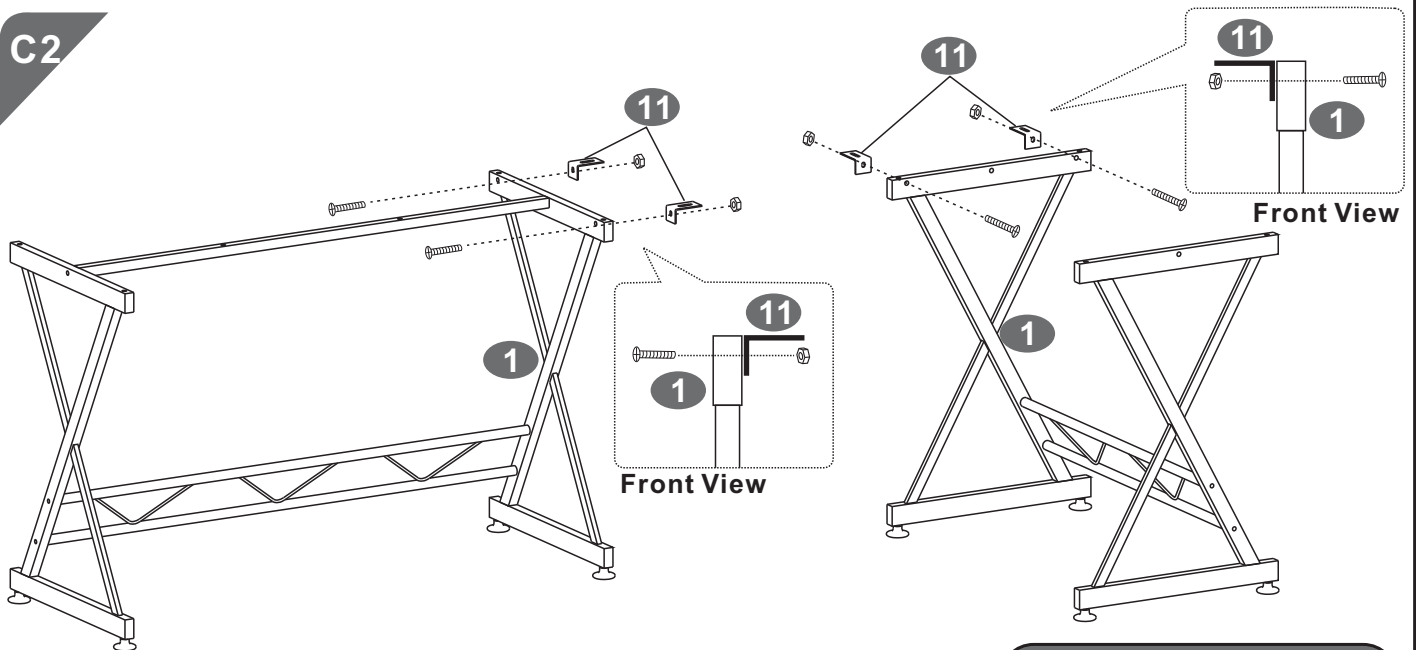
C1





■ SCREWS



**A** 6X35 MM  10PCS 

C2



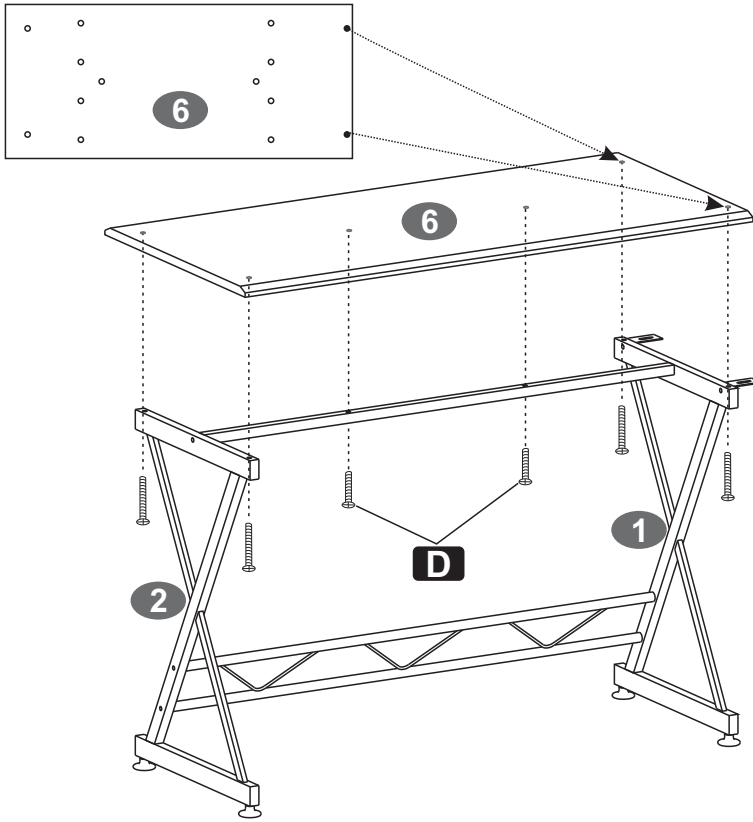
■ SCREWS

**D** 6X30 MM  4PCS 

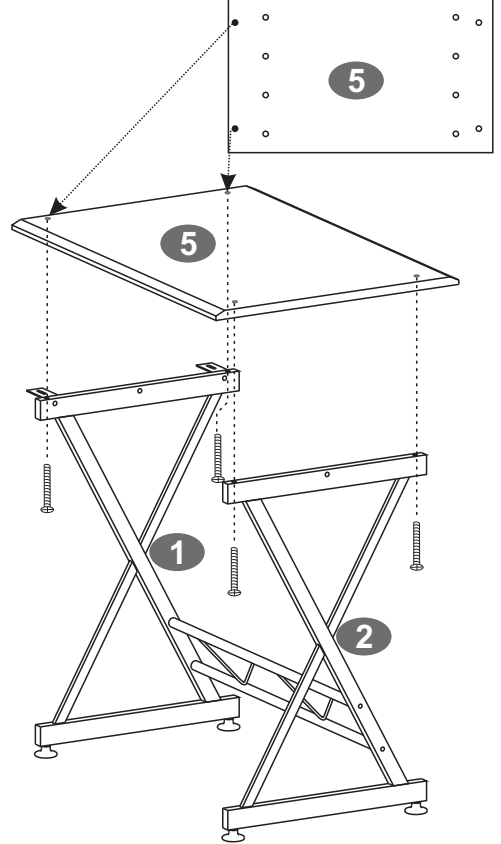
**G** M6  4PCS 

C3

Underside View  
Long Tabletop Panel



Underside View  
Short Tabletop Panel



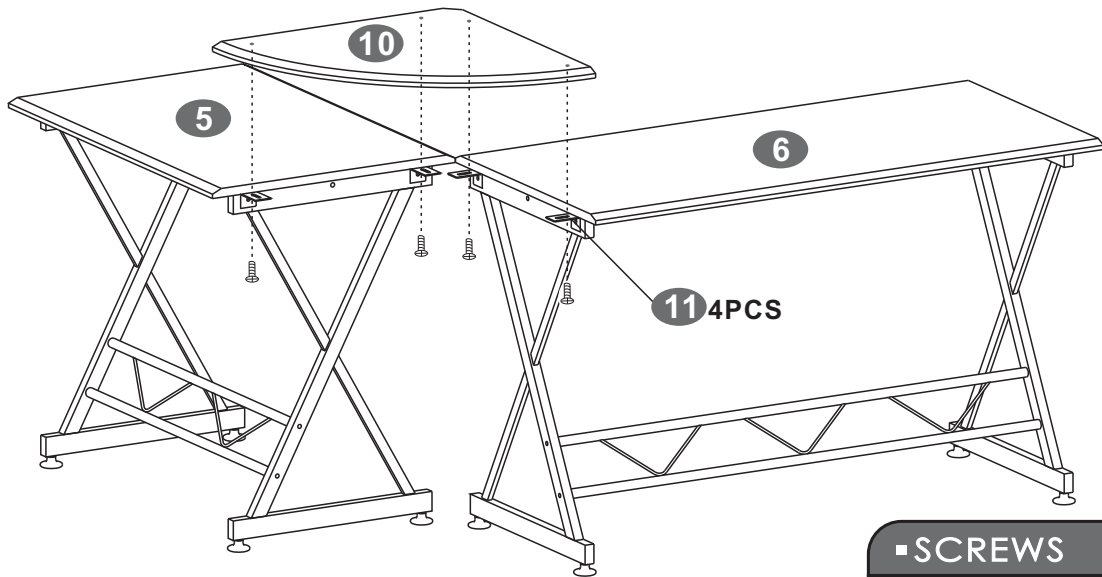
SCREWS

**B** 6X50 MM  
8PCS

SCREWS

**D** 6X30 MM  
2PCS

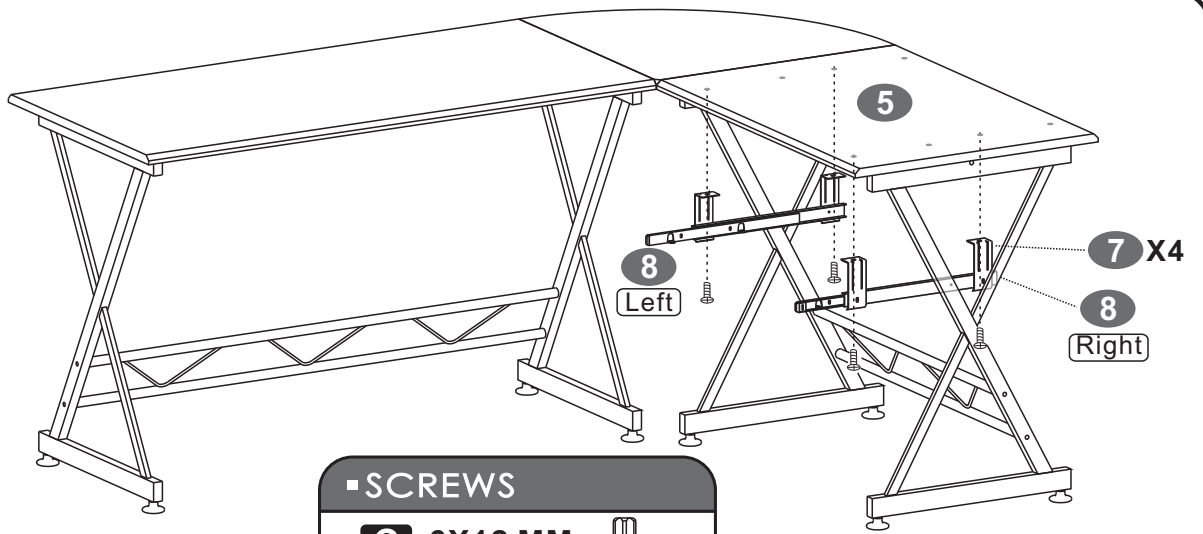
C4




SCREWS


**C** 6X12 MM  
4PCS

C5

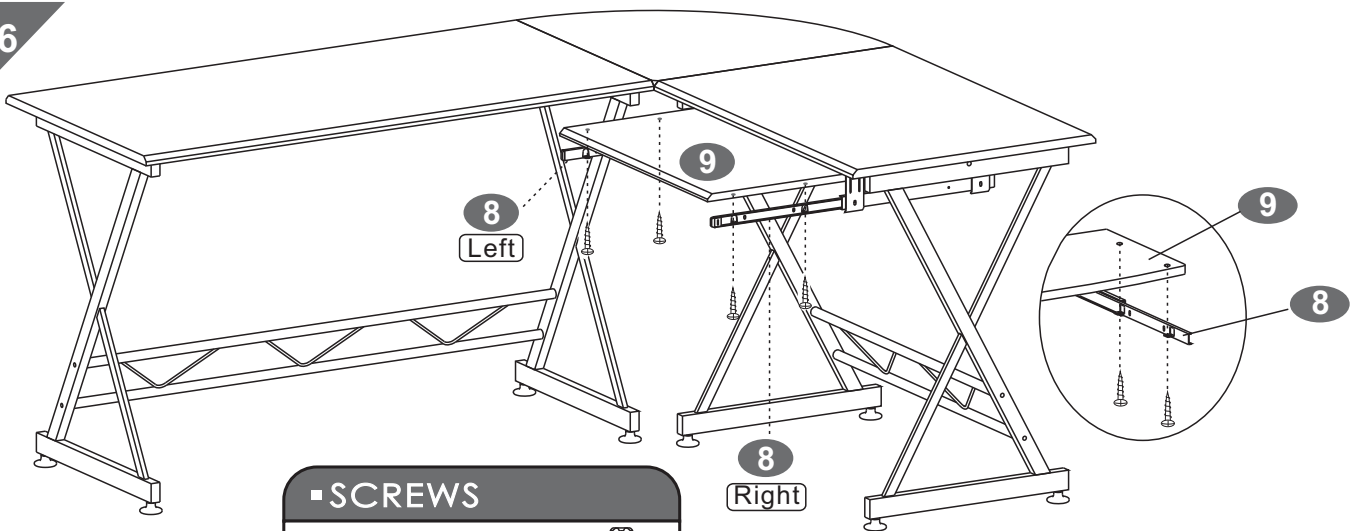


■ SCREWS


**C** 6X12 MM 


 4PCS

C6

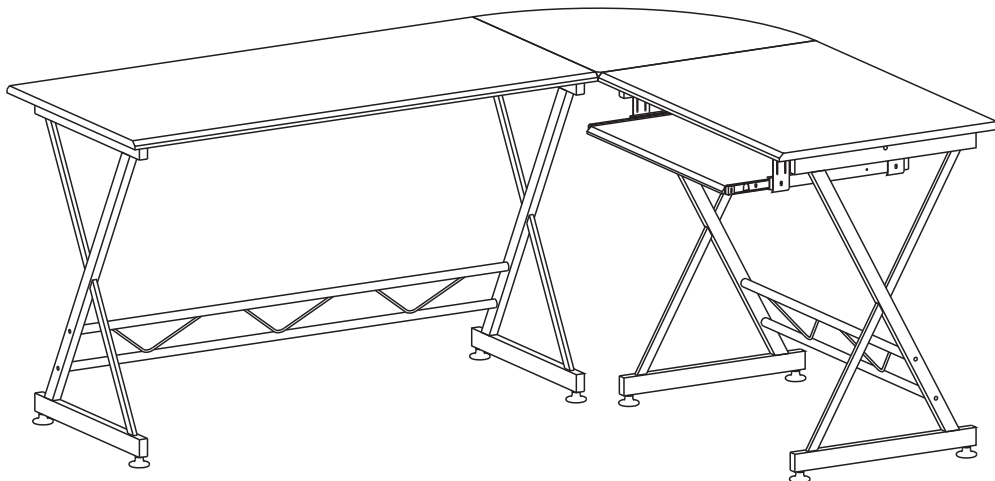


■ SCREWS

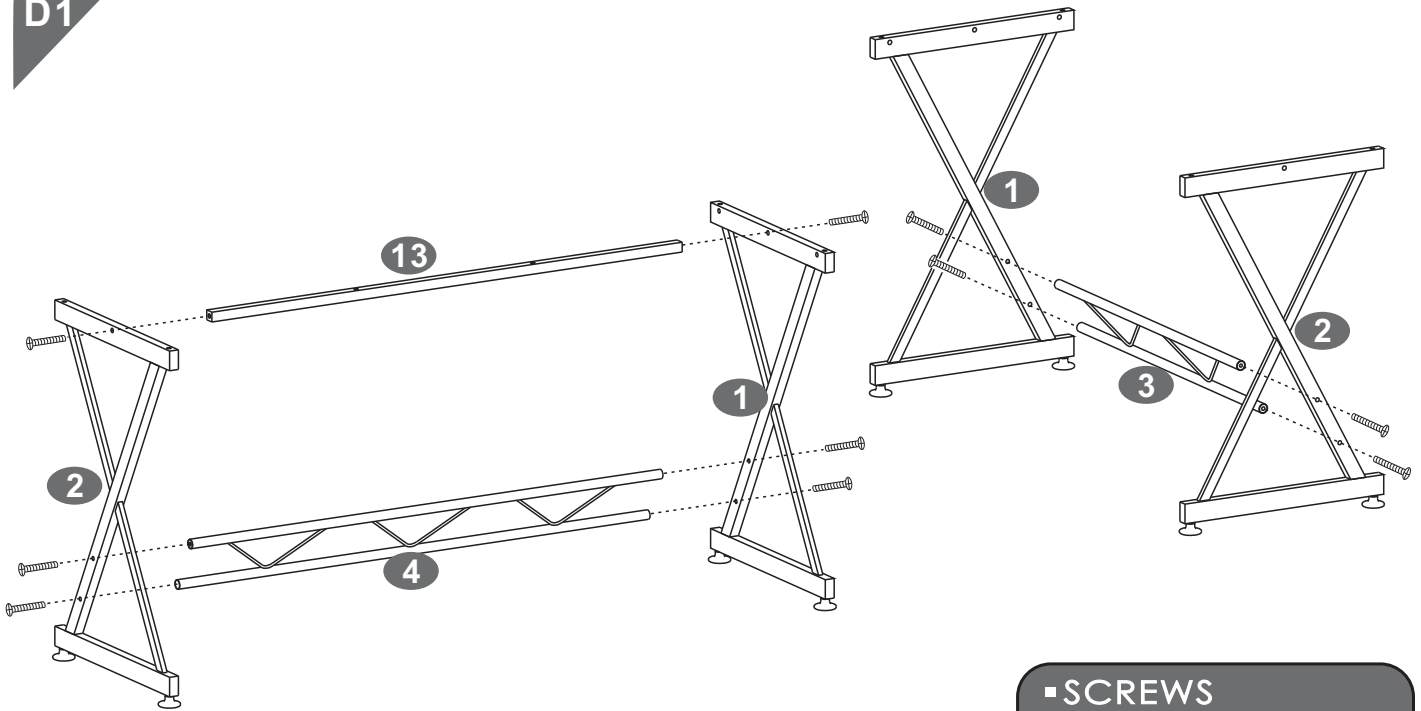
**F** 4X14 MM 

 4PCS

C7



D1

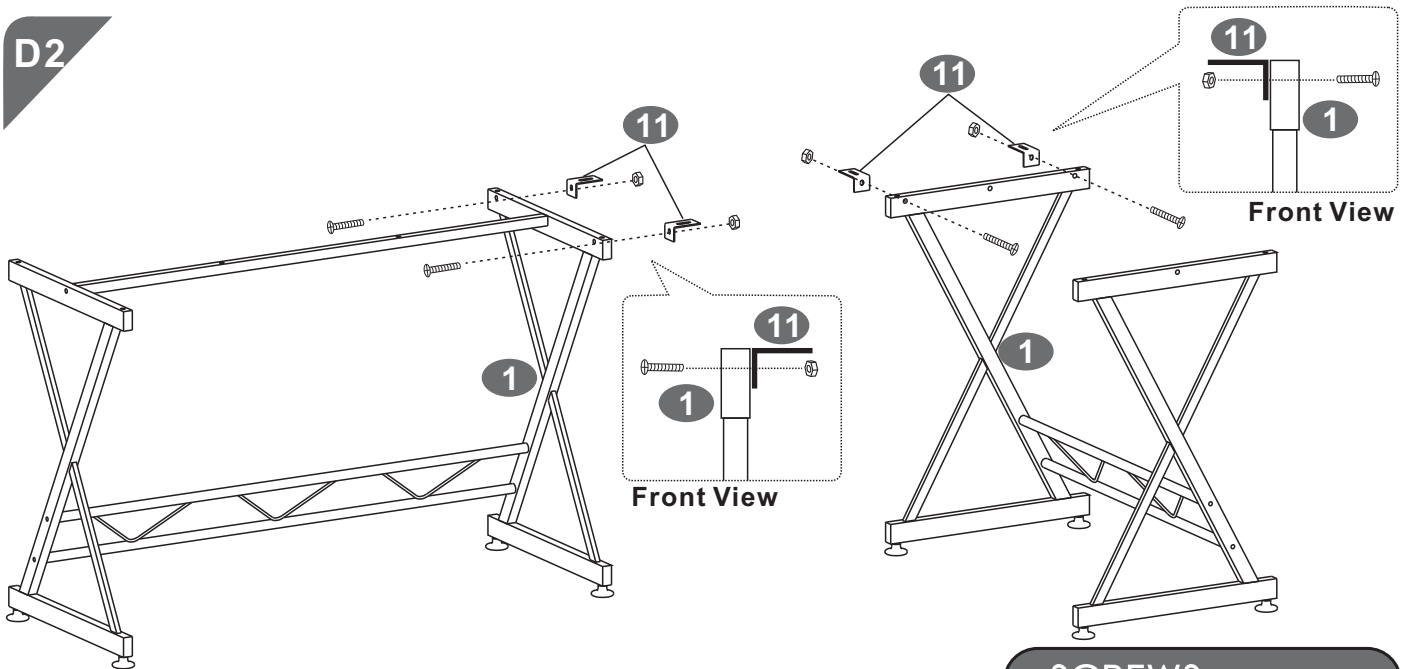


■ SCREWS


**A** 6X35 MM 


 10PCS

D2





■ SCREWS

**D** 6X30 MM 

 4PCS

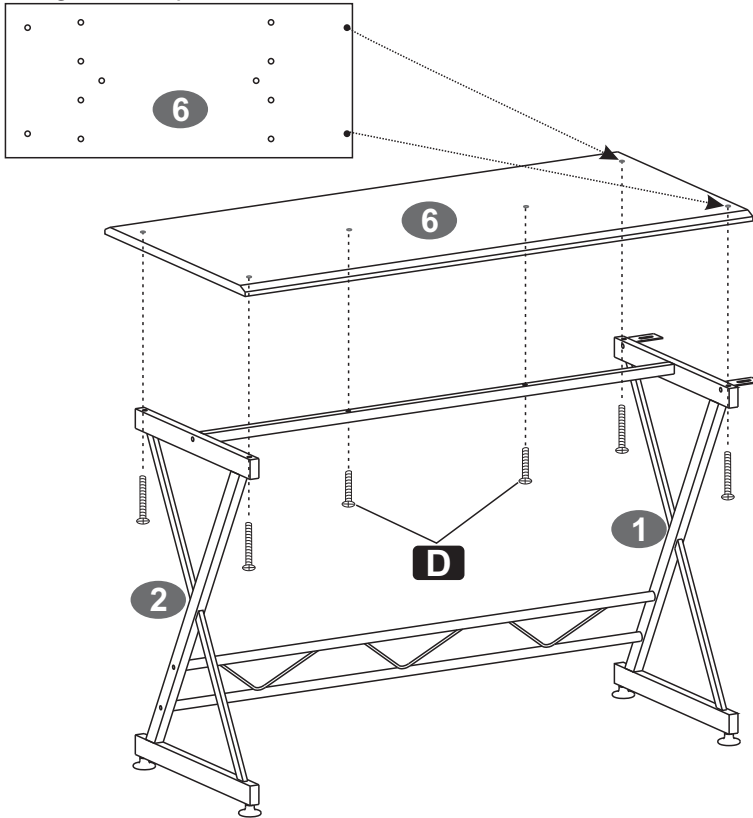
---

**G** M6 

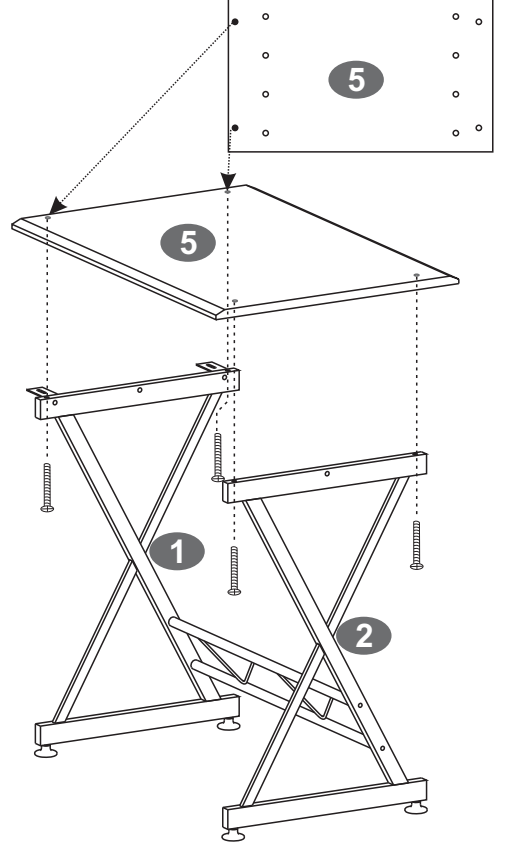
 4PCS

D3

Underside View  
Long Tabletop Panel



Underside View  
Short Tabletop Panel



■ SCREWS

**B** 6X50 MM  
8PCS

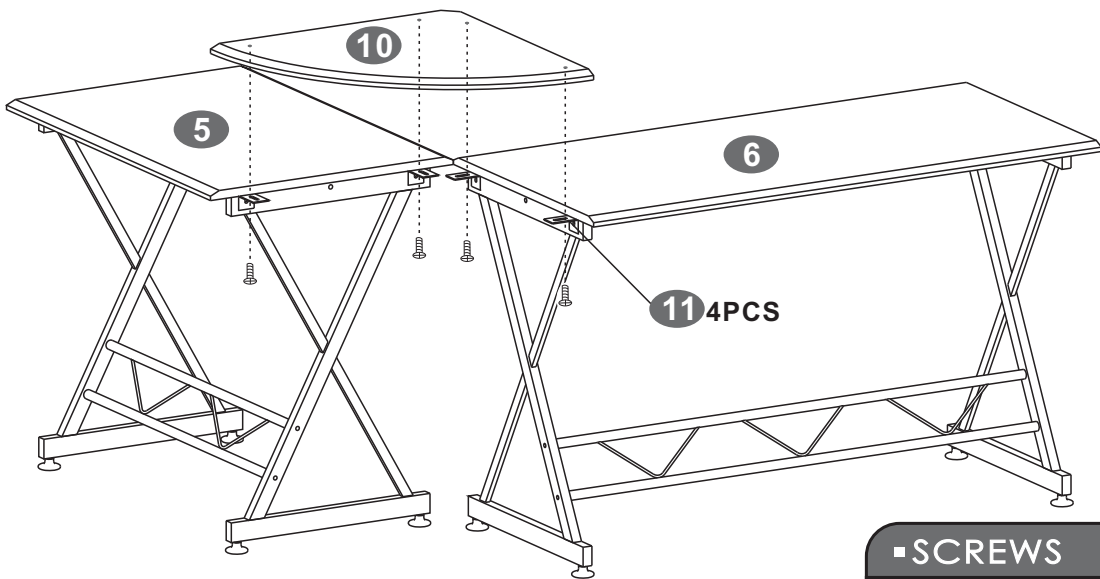


■ SCREWS

**D** 6X30 MM  
2PCS



D4

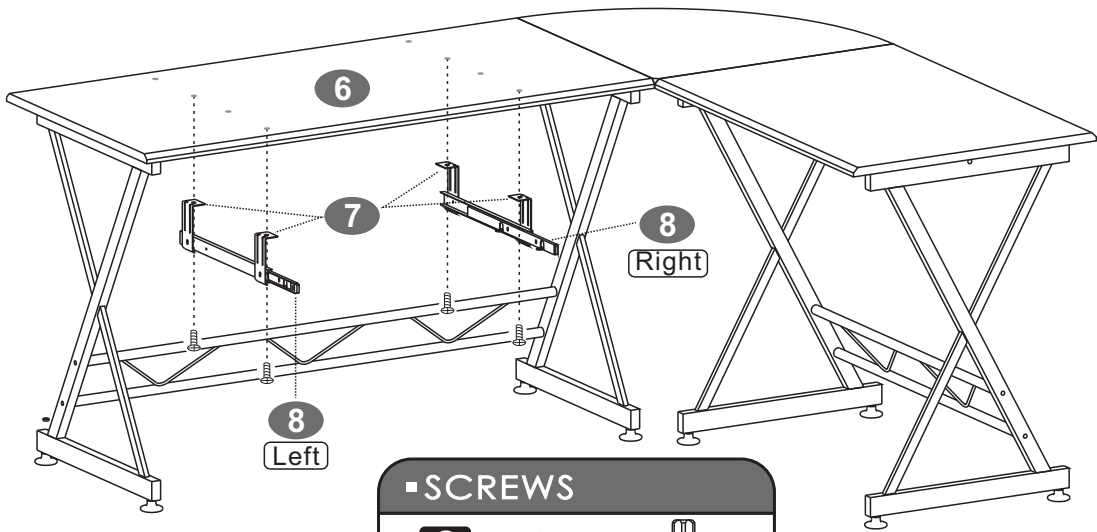


■ SCREWS



**C** 6X12 MM  
4PCS



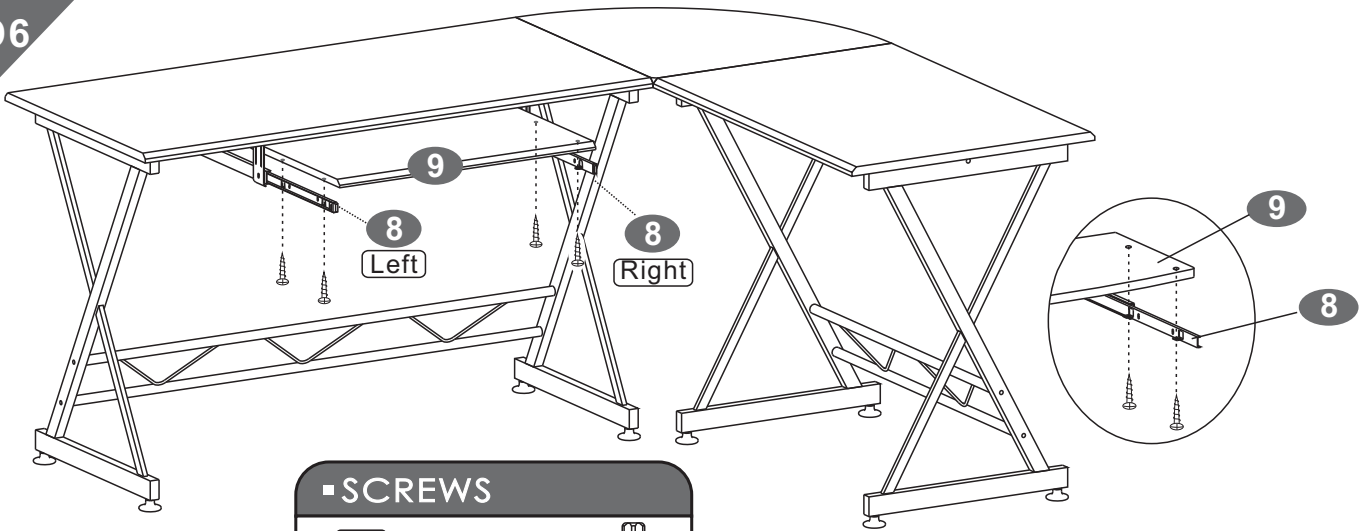
D5





■ SCREWS  
**C** 6X12 MM  
4PCS



D6



■ SCREWS  
**F** 4X14 MM  
4PCS



D7

