

STORE CABINET

ASSEMBLY INSTRUCTIONS

Thank you for choosing to purchase from Piranha Furniture. We trust everything is as expected, however if there are **ANY** issues at all or you have further questions, please don't hesitate to email us and we will resolve the matter as quickly as possible:

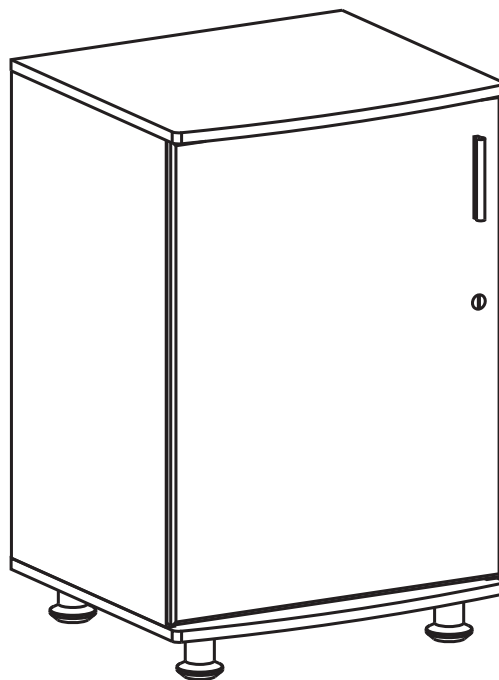
United Kingdom: sales@piranhafurniture.com

Rest of EU: info@piranhaeurope.com

You can contact us through our website www.piranhafurniture.com where you will also find our full range of products.

Please read the assembly instructions carefully before the installation

Retain all packaging as, if required, goods must be returned packed in the original cartons.



MODEL PC4

General Care:

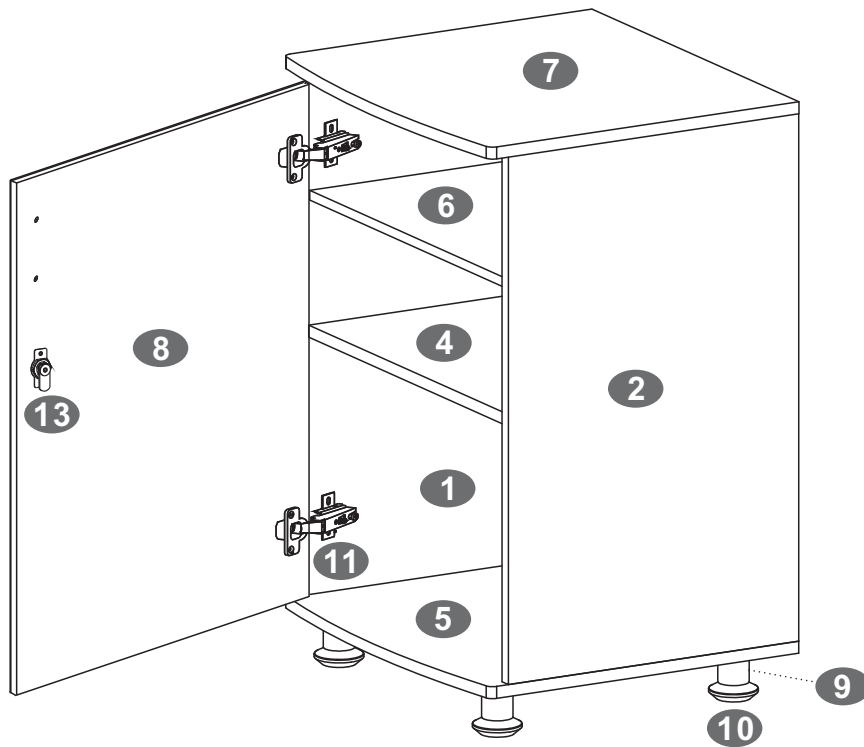
Keep furniture out of direct sunlight. Use mats and coasters to protect surfaces.
Do not place hot or wet items directly onto unprotected surfaces.

Cleaning:

Wipe surfaces with a clean damp (not wet) cloth then dry with a clean lint free cotton cloth.
Glass surfaces may be polished with window or other glass cleaning liquids.



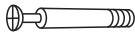

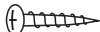









■PARTS LIST

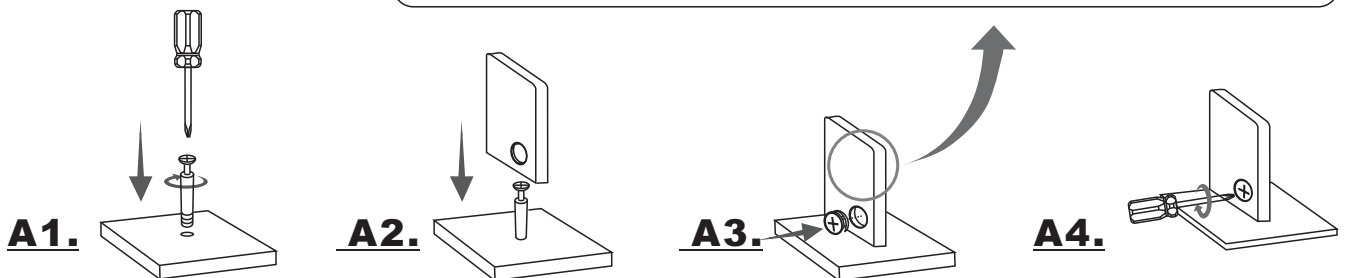
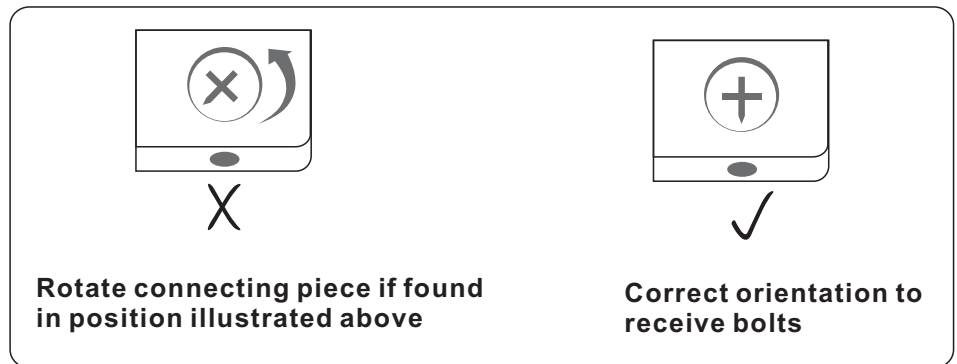
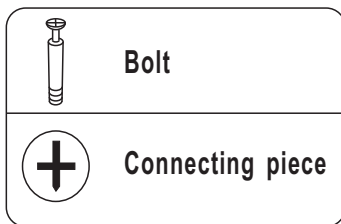


 X1	 X1	 X1	 X1
 X1	 X1	 X1	 X1
 X4	 X4	 X2	 X1
 X1			

▪SCREWS LIST

PART	QTY.	ITEM		PART	QTY.	ITEM	
A	5	6X25 MM		G	2	4X20 MM	
B	8	6X40 MM		H	2	3X15 MM	
C	16	4X14 MM		I	8	Φ 15 MM	
D	7	5X40 MM		J	5	Φ 12 MM	
E	4	Φ5X17 MM		K	12	8X30 MM	
F	8	4X16 MM			1		

6X25 & 6X40MM BOLT INSTALLATION AS BELOW:



ASSEMBLY STEPS:

1

SCREWS

- A** 6X25 MM 2PCS
- J** Φ 12 MM 2PCS

2

SCREWS

- B** 6X40 MM 2PCS
- I** Φ 15 MM 2PCS
- K** 8X30 MM 2PCS

3

SCREWS

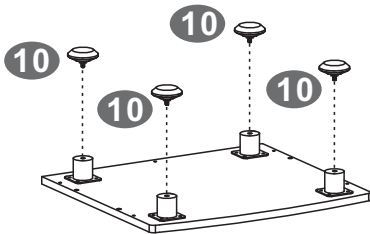
- B** 6X40 MM 2PCS
- I** Φ 15 MM 2PCS
- K** 8X30 MM 2PCS
- A** 6X25 MM 2PCS
- J** Φ 12 MM 2PCS

4

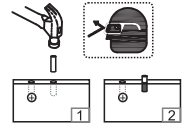
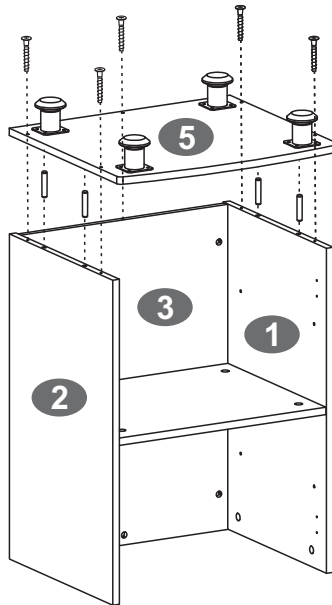
SCREWS

- C** 4X14 MM 16PCS

5



6



■ SCREWS

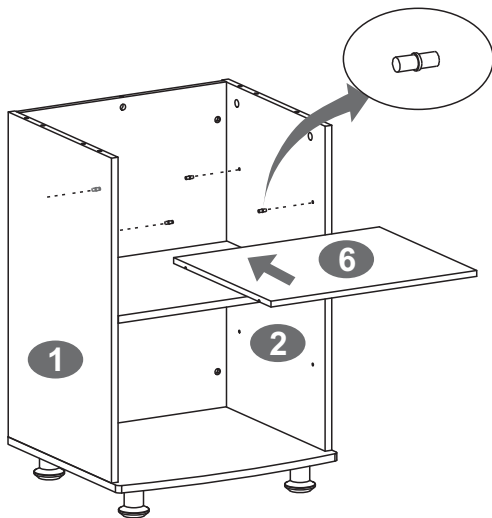
D 5X40 MM

 5PCS

K 8X30 MM

 4PCS

7

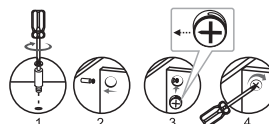
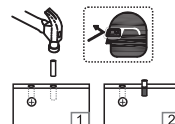
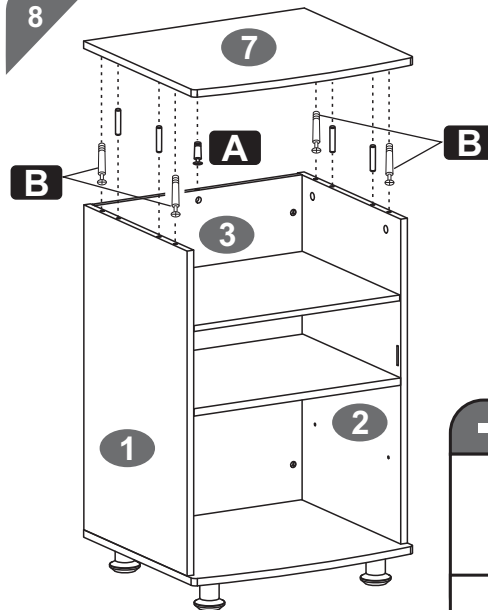


■ SCREWS

E Φ 5X17 MM

 4PCS

8



■ SCREWS

B 6X40 MM

 4PCS

I Φ 15 MM

 4PCS

K 8X30 MM

 4PCS

A 6X25 MM

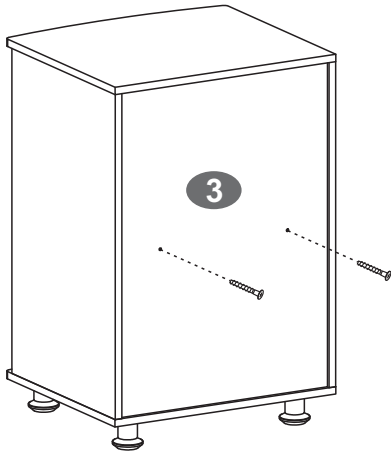
 1PC

J Φ 12 MM



 1PC



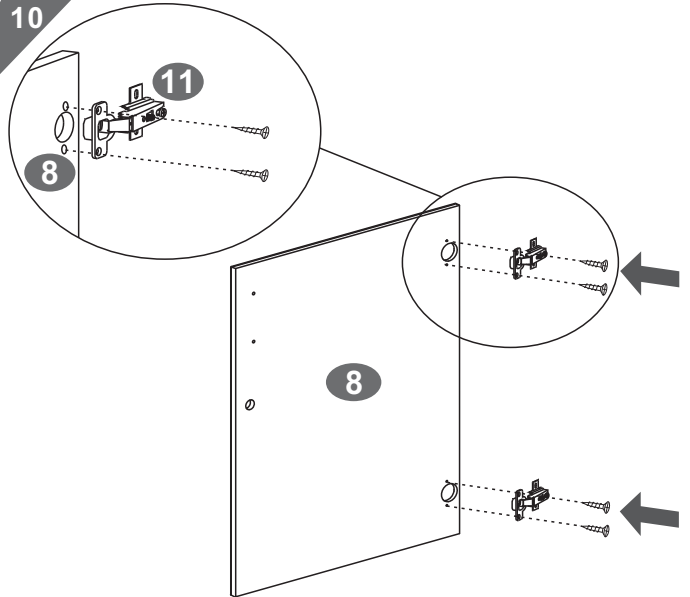
9





▣ SCREWS

D 5X40 MM  2PCS 

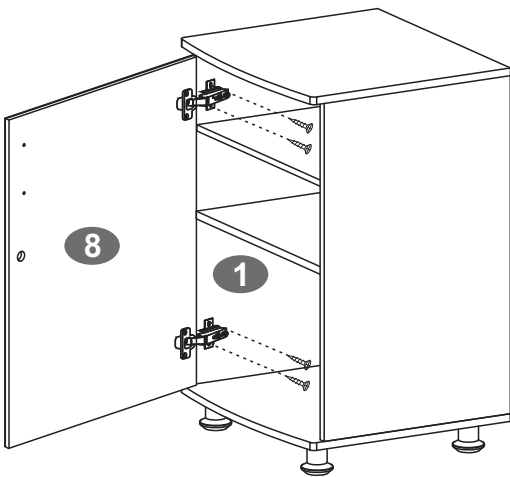
10





▣ SCREWS

F 4X16 MM  4PCS 

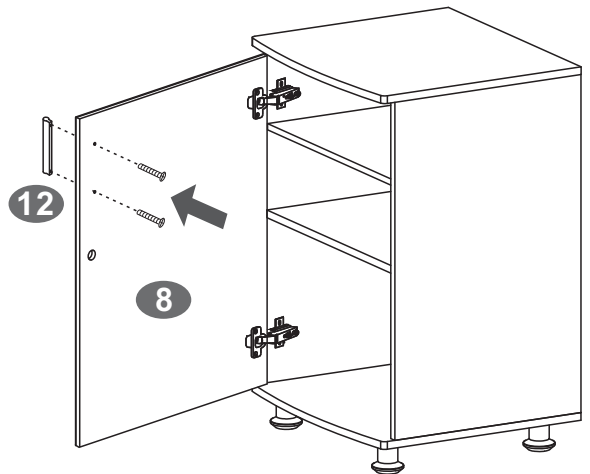
11





▣ SCREWS

F 4X16 MM  4PCS 

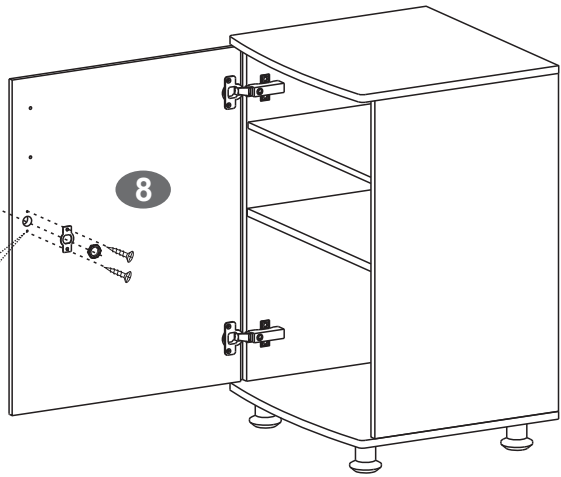
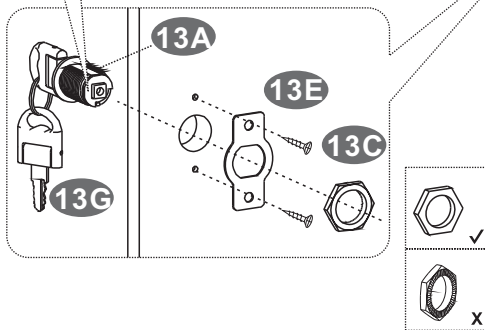
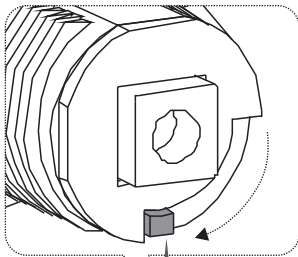
12



▣ SCREWS

G 4X20 MM  2PCS 


13



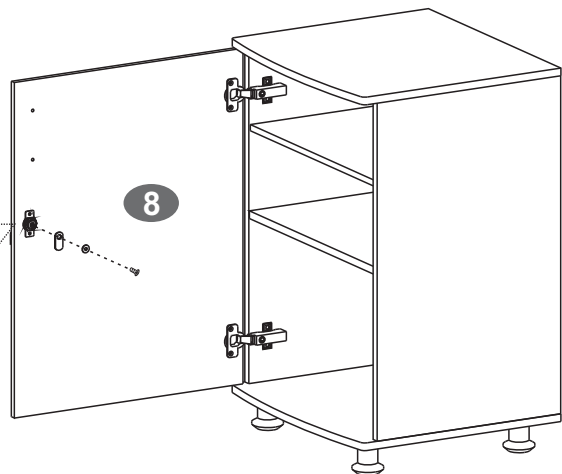
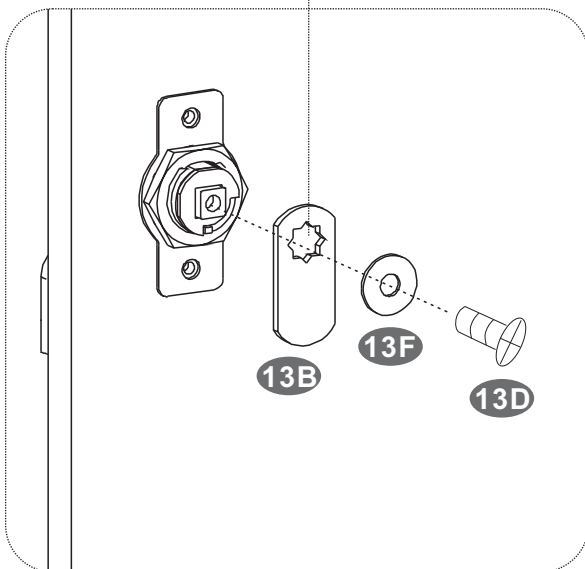
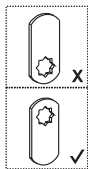
■ SCREWS

H 3X15 MM

2 PCS

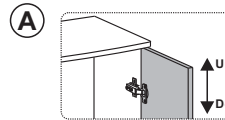
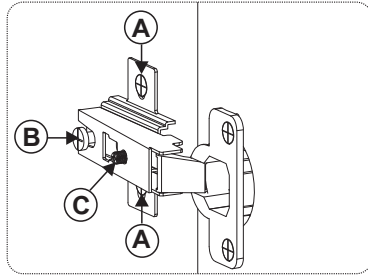
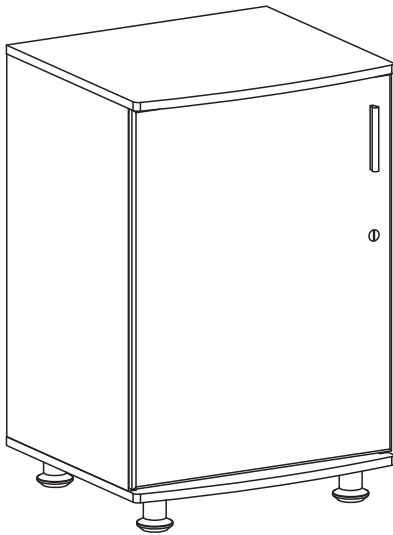


14

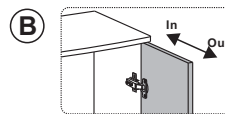




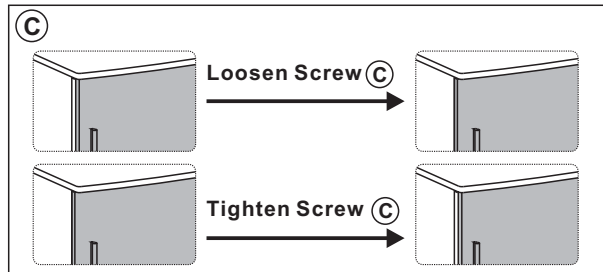
15



loosen screws A, adjust location of Screw A to move up and down of door



Tighten/loosen Screw B to adjust the gap between door and cabinet side panel



Tighten/loosen Screw C to adjust the gap of the door

16

