

COMPUTER DESK

ASSEMBLY INSTRUCTIONS

Thank you for choosing to purchase from Piranha Furniture. We trust everything is as expected, however if there are **ANY** issues at all or you have further questions, please don't hesitate to email us and we will resolve the matter as quickly as possible:

United Kingdom: sales@piranhafurniture.com

Rest of EU: info@piranhaeurope.com

You can contact us through our website www.piranhafurniture.com where you will also find our full range of products.

Please read the assembly instructions carefully before the installation

Retain all packaging as, if required, goods must be returned packed in the original cartons.



TWO PEOPLE REQUIRED

MODEL PC41

General Care:

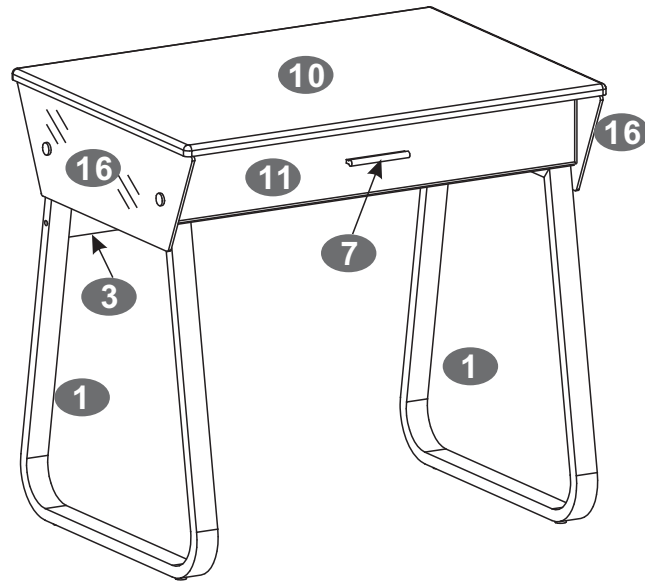
Keep furniture out of direct sunlight. Use mats and coasters to protect surfaces.
Do not place hot or wet items directly onto unprotected surfaces.

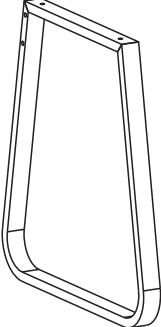

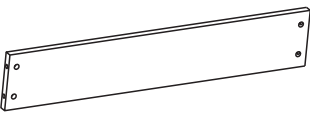
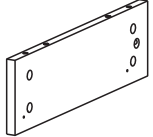
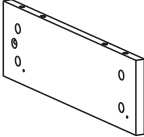

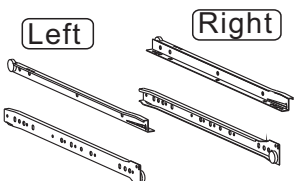
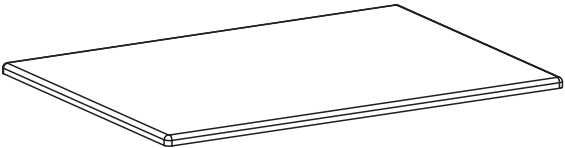
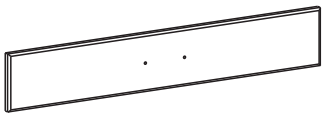
Cleaning:

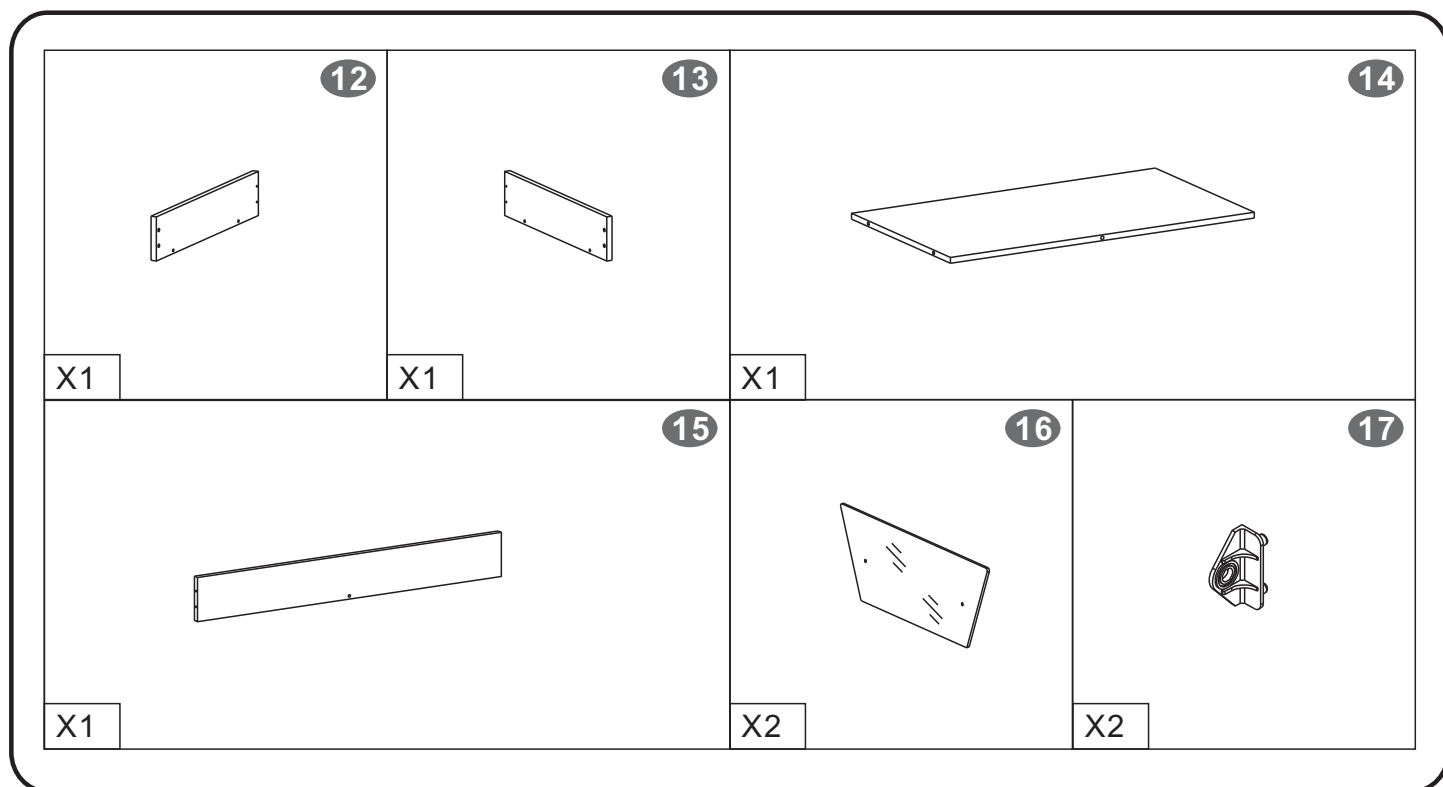
Wipe surfaces with a clean damp (not wet) cloth then dry with a clean lint free cotton cloth.
Glass surfaces may be polished with window or other glass cleaning liquids.



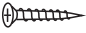
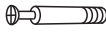

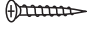





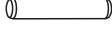




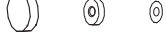

■ PARTS LIST



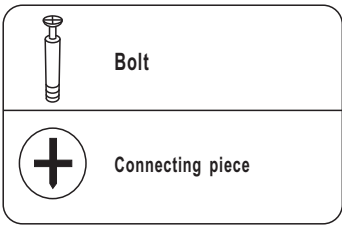
 X2	 X4	 X1
 X1	 X1	 X1
 X1	 X1	 X1



▪SCREWS LIST

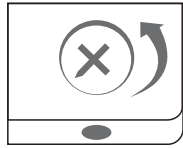
PART	QTY.	ITEM		PART	QTY.	ITEM	
A	8	3X15 MM		I	6	6X25 MM	
B	16	6X40 MM		J	4	3X12 MM	
C	4	6X65 MM		K	2	6X15 MM	
D	4	6X30 MM		L	16	Φ 15 MM	
E	2	4X20 MM		M	8	8X30 MM	
F	4	4X35 MM		N	4	Φ 10 MM	
G	4	4X16 MM		O	6	Φ 12 MM	
H	4				1		

■ 6X40MM & 6x25M BOLT INSTALLATION AS BELOW:

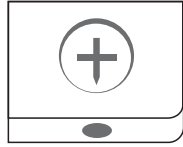


Bolt

Connecting piece



X

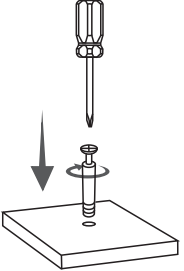


✓

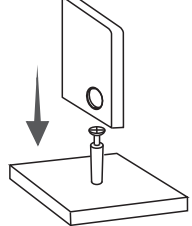
Rotate connecting piece if found in position illustrated above

Correct orientation to receive bolts

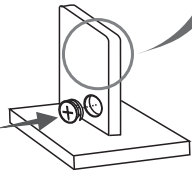
A1.



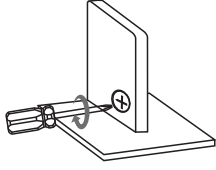
A2.



A3.

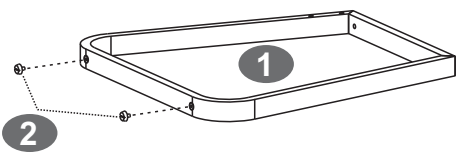


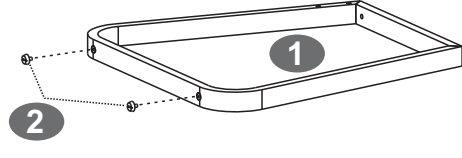
A4.



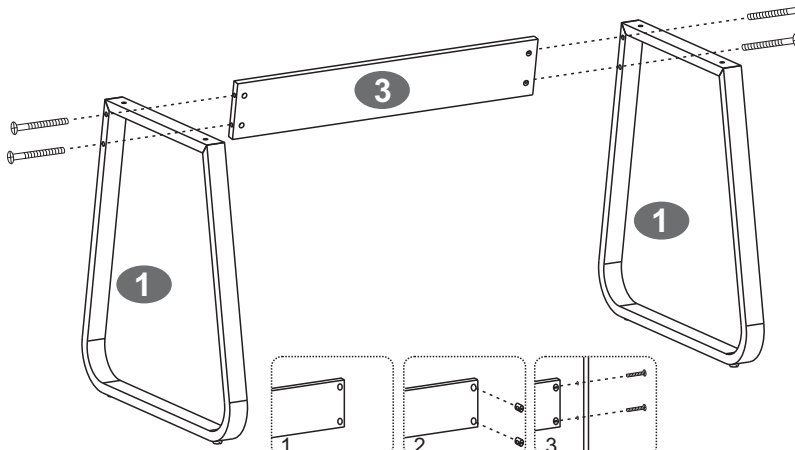
■ ASSEMBLY STEPS:


1








2






A1.


A2.



A3.



B1.


B2.

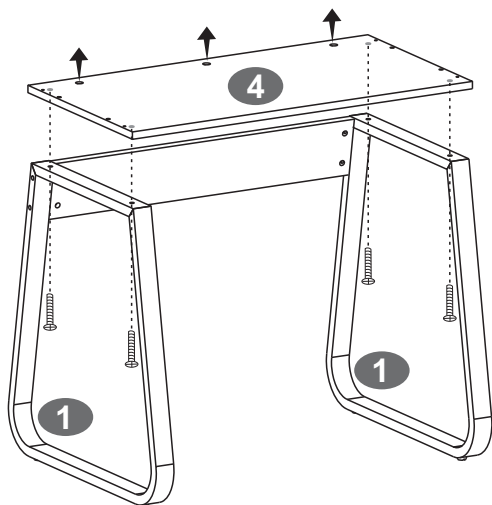

B3.

■ SCREWS

C 6X65 MM  4PCS

N Φ 10 MM  4PCS

3



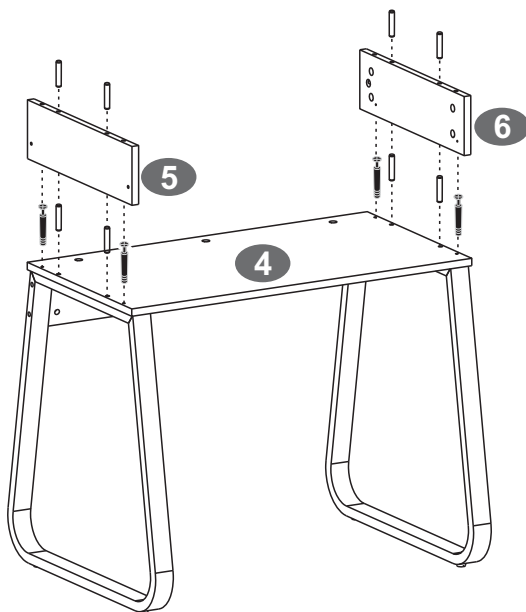
▪ SCREWS

D 6X30 MM

4PCS



4



▪ SCREWS

B 6X40 MM

4PCS



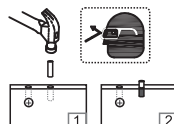
L Φ 15 MM

4PCS



M 8X30 MM

8PCS



▪ SCREWS

B 6X40 MM

5PCS

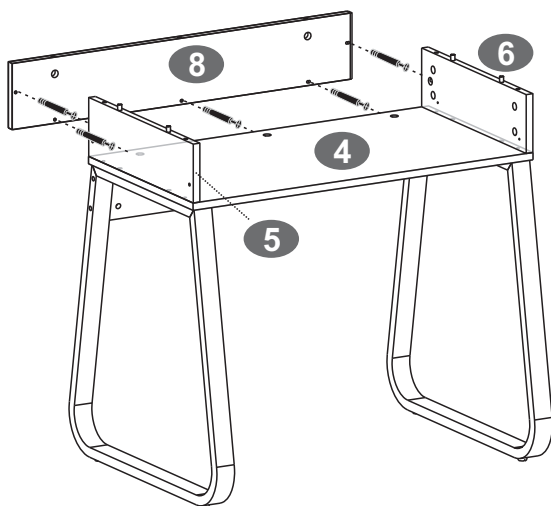


L Φ 15 MM

5PCS



5



▪ SCREWS

B 6X40 MM

5PCS

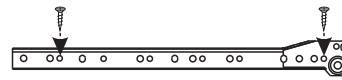
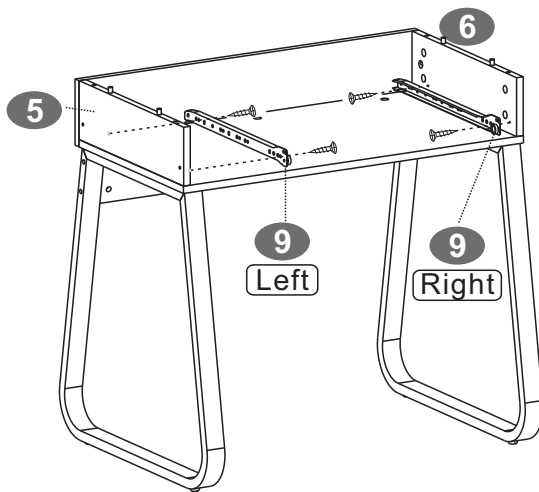


L Φ 15 MM

5PCS



6



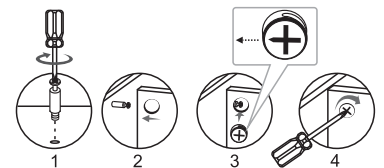
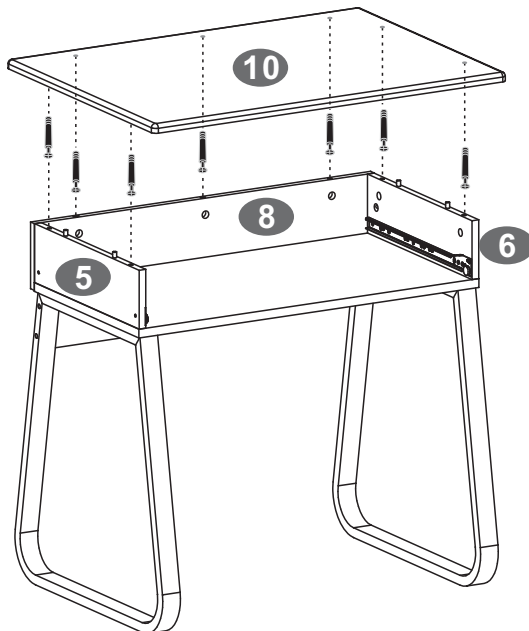
■ SCREWS

A 3X15 MM

4PCS



7



■ SCREWS

B 6X40 MM

7PCS

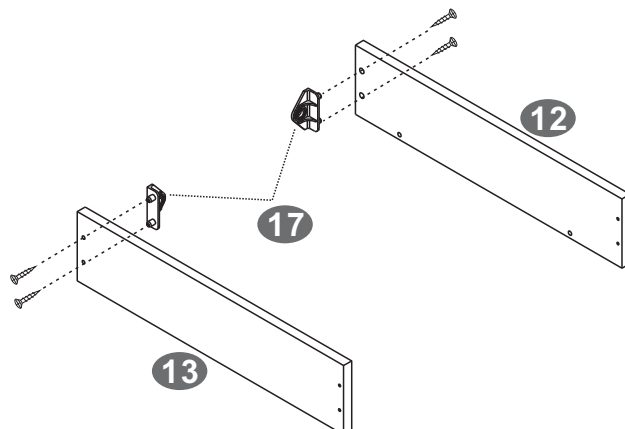


L Φ 15 MM

7PCS



8



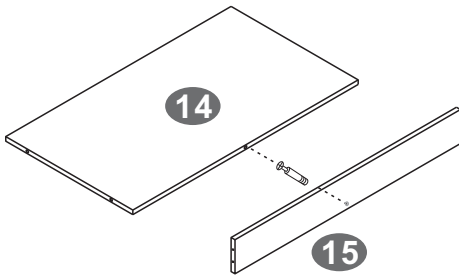
■ SCREWS

J 3X12 MM

4PCS



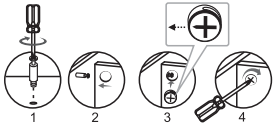
9



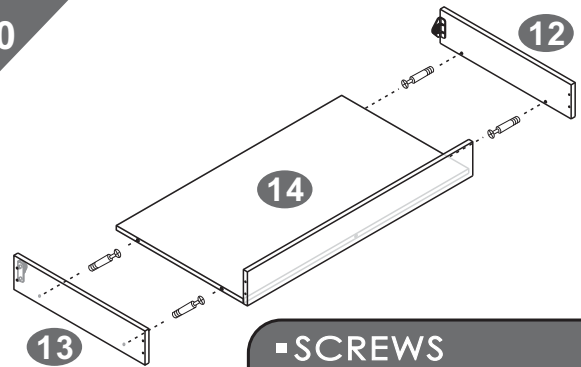
SCREWS

I 6X25 MM
1PC

O Φ 12 MM
1PC



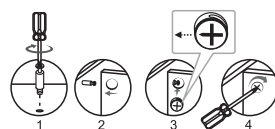
10



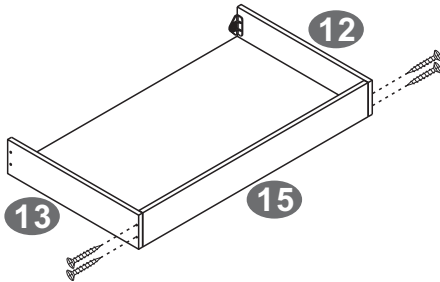
SCREWS

I 6X25 MM
4PCS

O Φ 12 MM
4PCS



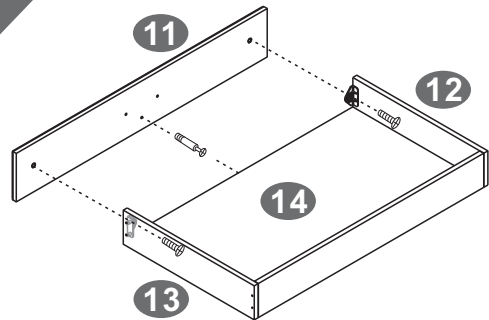
11



SCREWS

F 4X35 MM
4PCS

12



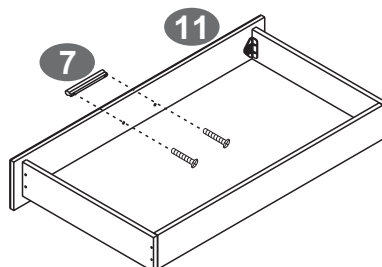
SCREWS

I 6X25 MM
1PC

O Φ 12 MM
1PC

K 6X15 MM
2PCS

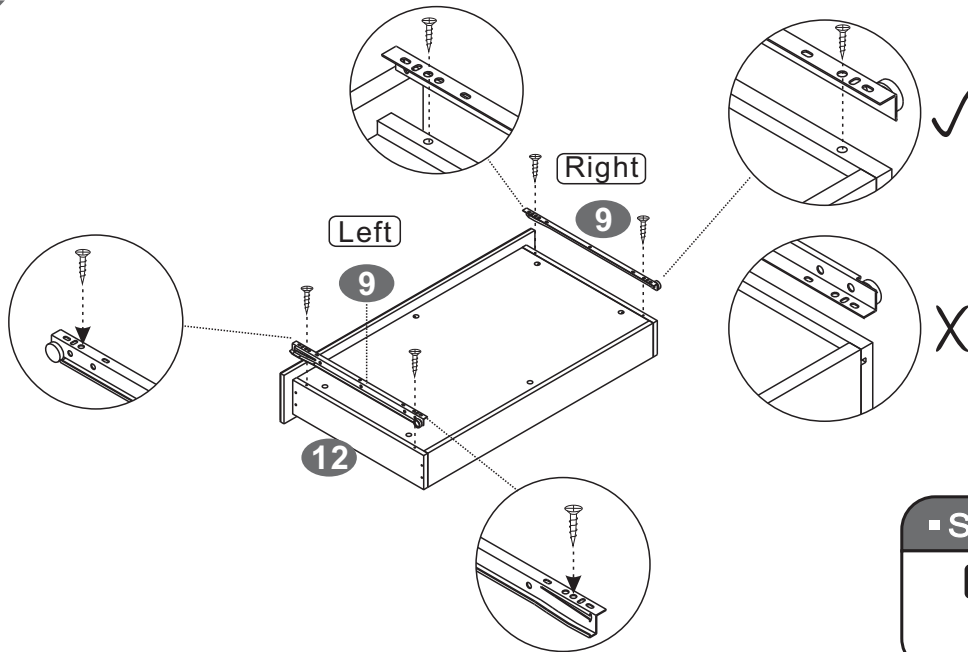
13



SCREWS

E 4X20 MM
2PCS

14



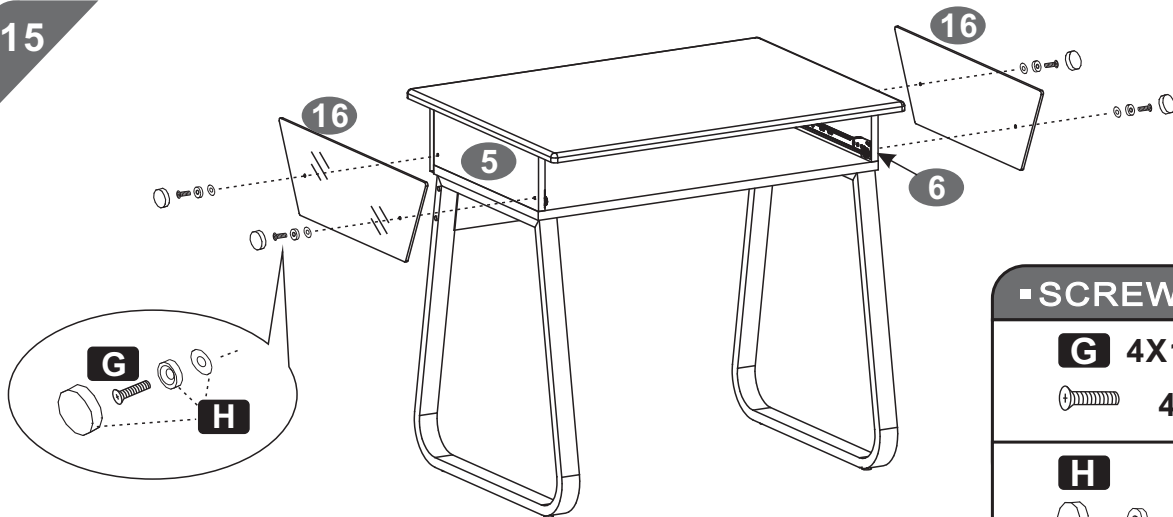
■ SCREWS

A 3X15 MM

4PCS



15



■ SCREWS

G 4X16 MM

4PCS

H

4STES



16

