

# COMPUTER DESK

## ASSEMBLY INSTRUCTIONS

Thank you for choosing to purchase from Piranha Furniture. We trust everything is as expected, however if there are **ANY** issues at all or you have further questions, please don't hesitate to email us and we will resolve the matter as quickly as possible:

**United Kingdom:** [sales@piranhafurniture.com](mailto:sales@piranhafurniture.com)

**Rest of EU:** [info@piranhaeurope.com](mailto:info@piranhaeurope.com)

You can contact us through our website [www.piranhafurniture.com](http://www.piranhafurniture.com) where you will also find our full range of products.

**Please read the assembly instructions carefully before the installation**

**Retain all packaging as, if required, goods must be returned packed in the original cartons.**



**TWO PEOPLE REQUIRED**

**MODEL PC26**

**General Care:**

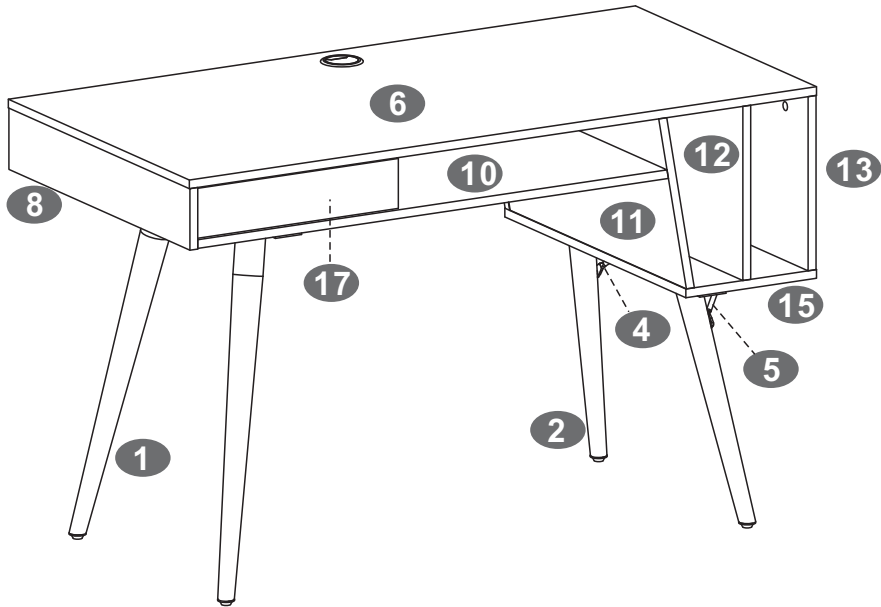
Keep furniture out of direct sunlight. Use mats and coasters to protect surfaces.  
Do not place hot or wet items directly onto unprotected surfaces.

**Cleaning:**

Wipe surfaces with a clean damp (not wet) cloth then dry with a clean lint free cotton cloth.  
Glass surfaces may be polished with window or other glass cleaning liquids.

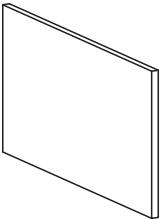
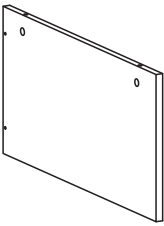
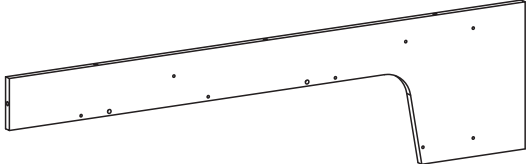
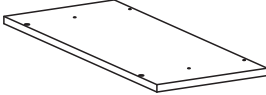
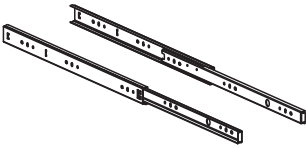


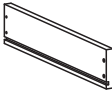






■ PARTS LIST





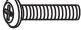
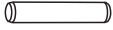


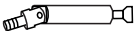

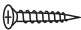


1/2 means this part is packed inside 1st carton  
2/2 means this part is packed inside 2nd carton

 1/2 X1	 1/2 X1	 1/2 X4	 1/2 X1
 1/2 X1	 1/2 X1	 1/2 X2	 1/2 X1
 2/2 X1	 2/2 X1	 2/2 X1	 2/2 X1

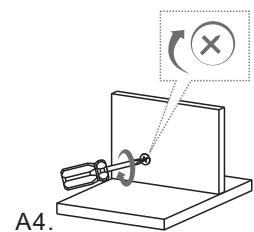
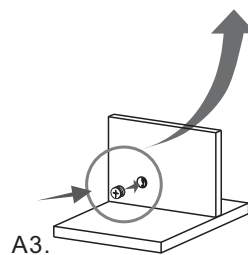
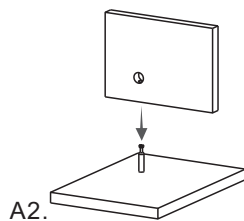
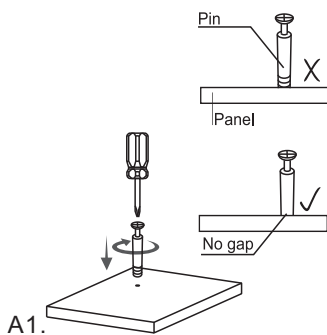
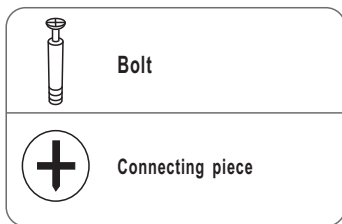
$\frac{2}{2}$ <b>12</b> 	$\frac{2}{2}$ <b>13</b> 	$\frac{1}{2}$ <b>14</b> 	
X1	X1	X1	
$\frac{2}{2}$ <b>15</b> 	$\frac{1}{2}$ <b>16</b> 	$\frac{1}{2}$ <b>17</b> 	$\frac{1}{2}$ <b>18</b> 
X1	X1	X1	X1
$\frac{1}{2}$ <b>19</b> 	$\frac{1}{2}$ <b>20</b> 	$\frac{1}{2}$ <b>21</b> 	$\frac{1}{2}$ <b>22</b> 
X1	X1	X1	X2
$\frac{1}{2}$ <b>23</b> 			
X1			



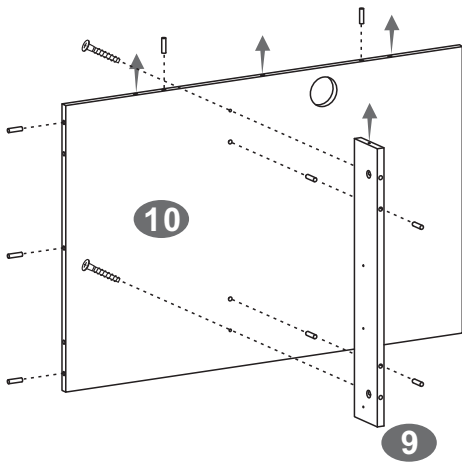
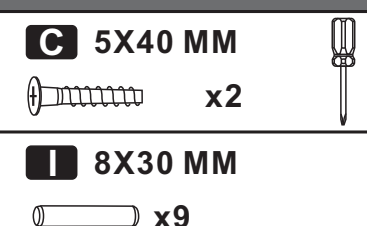
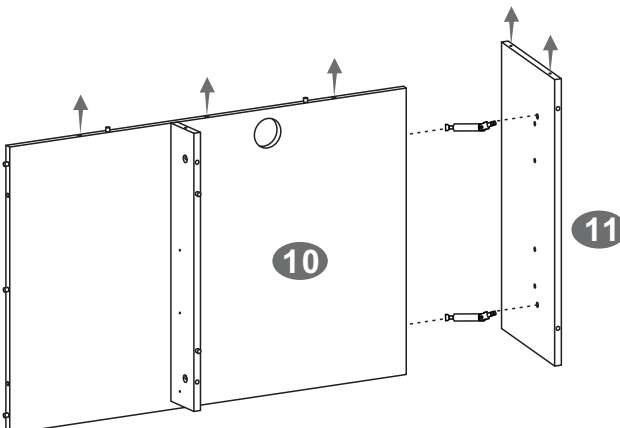
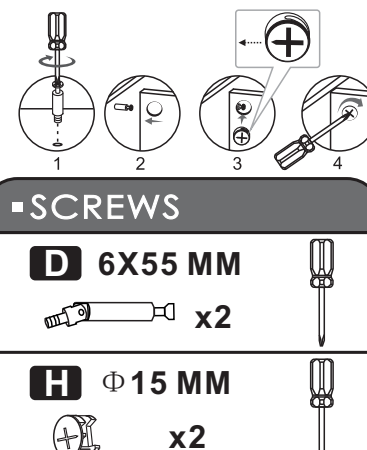
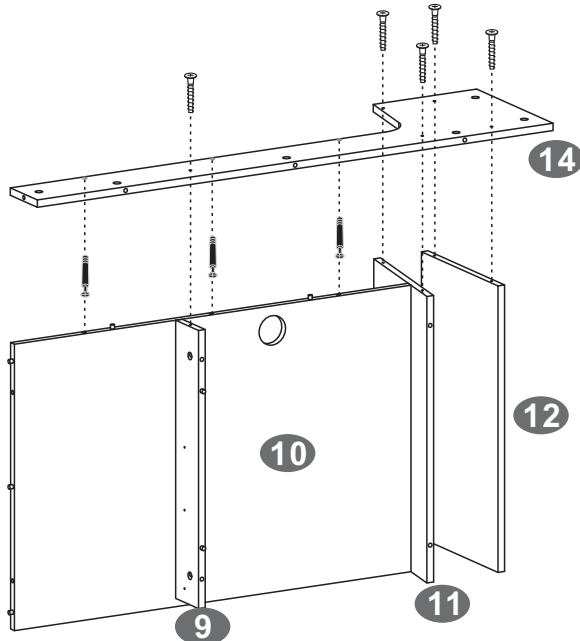
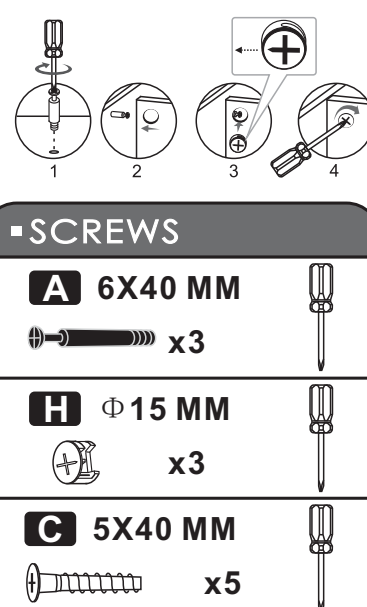
### ▪SCREWS LIST

PART	QTY.	ITEM		PART	QTY.	ITEM	
<b>A</b>	17	6X40 MM		<b>H</b>	21	Φ 15 MM	
<b>B</b>	12	6X25 MM		<b>I</b>	11	8X30 MM	
<b>C</b>	11	5X40 MM			1		
<b>D</b>	4	6X55 MM			1		
<b>E</b>	14	3X15 MM					
<b>F</b>	14	6X15 MM					
<b>G</b>	6	4X35 MM					

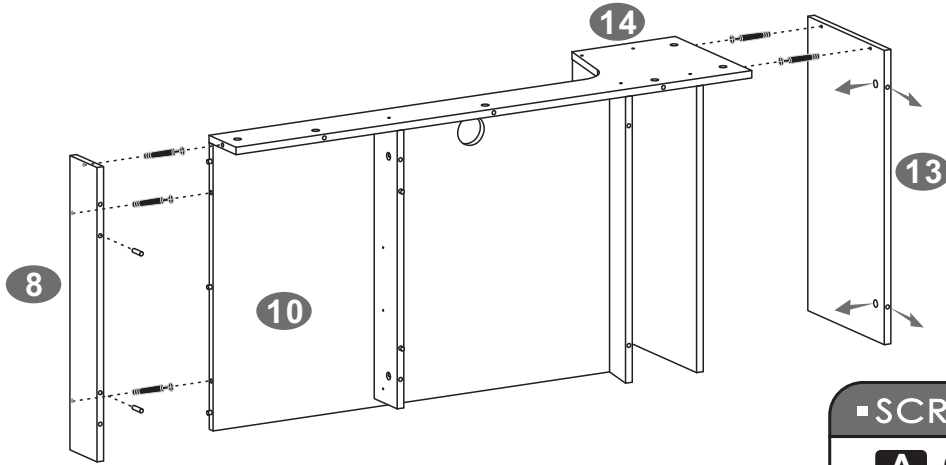
### 6X40MM & 6x55MM BOLT INSTALLATION AS BELOW:



ASSEMBLY STEPS:

<p><b>1</b></p> 	<p><b>SCREWS</b></p> <p><b>C</b> 5X40 MM x2</p> <p><b>I</b> 8X30 MM x9</p> 
<p><b>2</b></p> 	<p><b>SCREWS</b></p> <p><b>D</b> 6X55 MM x2</p> <p><b>H</b> <math>\Phi</math> 15 MM x2</p> 
<p><b>3</b></p> 	<p><b>SCREWS</b></p> <p><b>A</b> 6X40 MM x3</p> <p><b>H</b> <math>\Phi</math> 15 MM x3</p> <p><b>C</b> 5X40 MM x5</p> 

4



SCREWS

**A** 6X40 MM

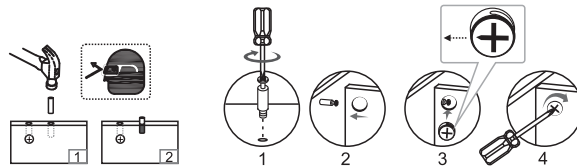
x5

**H**  $\Phi$  15 MM

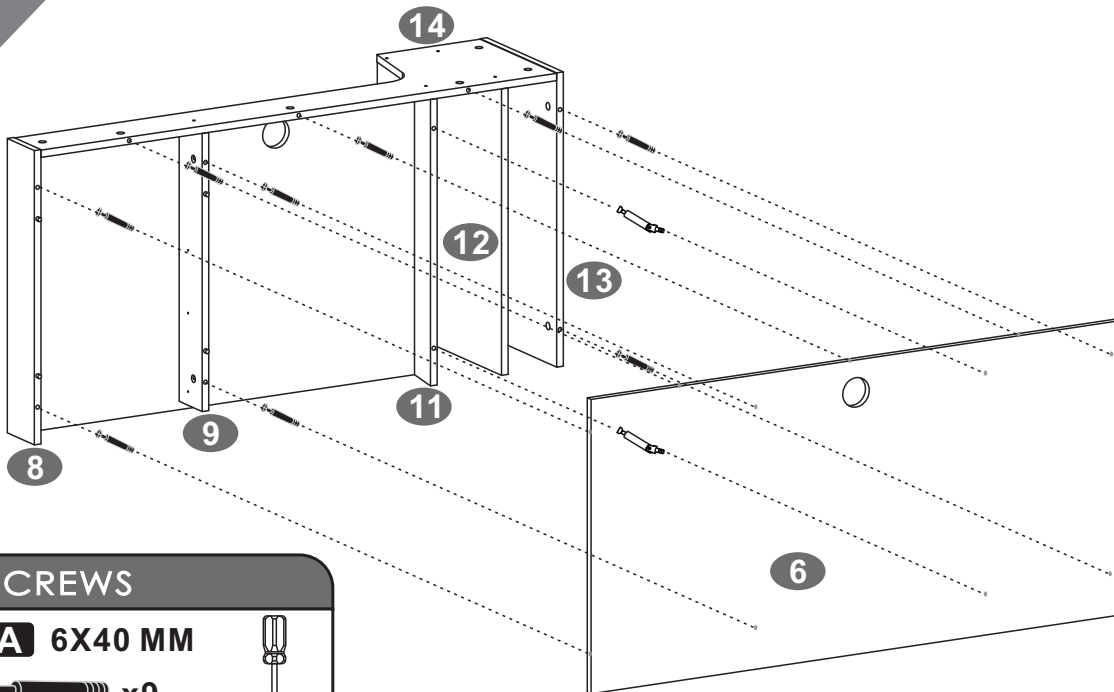
x5

**I** 8X30 MM

x2



5



SCREWS

**A** 6X40 MM

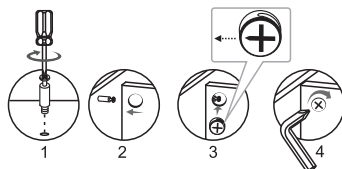
x9

**H**  $\Phi$  15 MM

x11



**D** 6X55 MM

x2




**6**

**SCREWS**

<b>C</b> 5X40 MM	x4	
<b>G</b> 4X35 MM	x2	


**7**

**SCREWS**

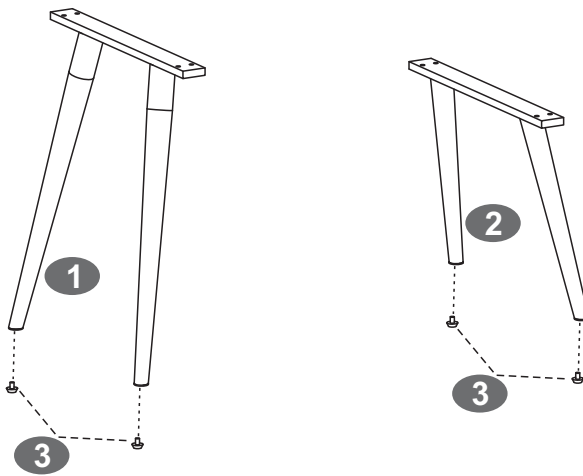
<b>F</b> 6X15 MM	x4	
------------------	----	---

**8**

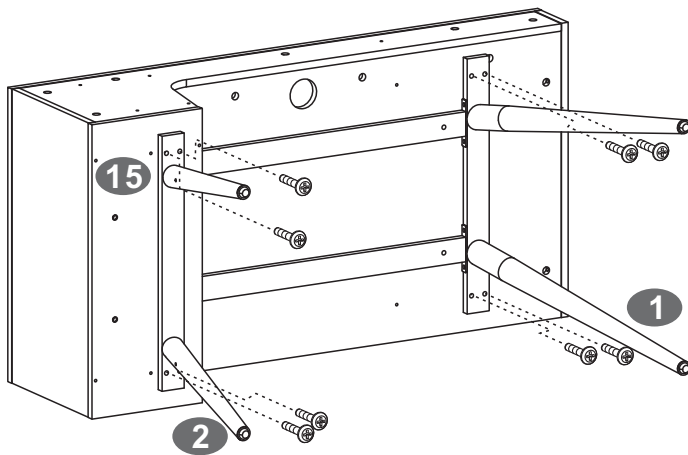
**SCREWS**

<b>B</b> 6X25 MM	x4	
------------------	----	---

9



10



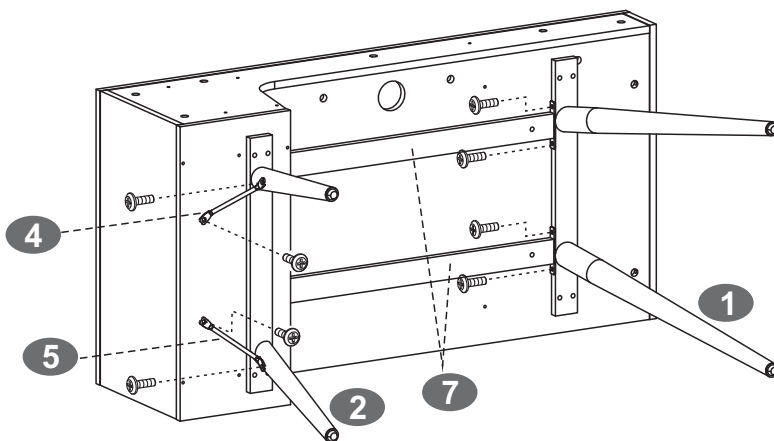
■ SCREWS

**B** 6X25 MM

 x8



11



■ SCREWS

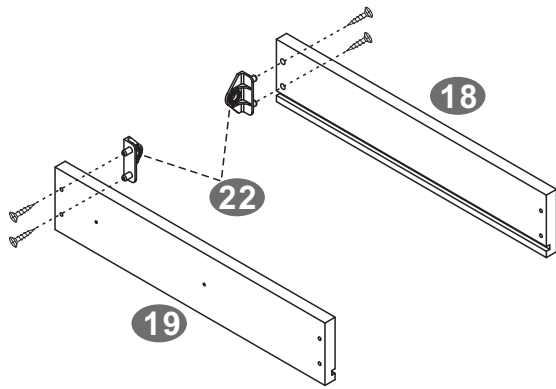
**F** 6X15 MM

 x8





12



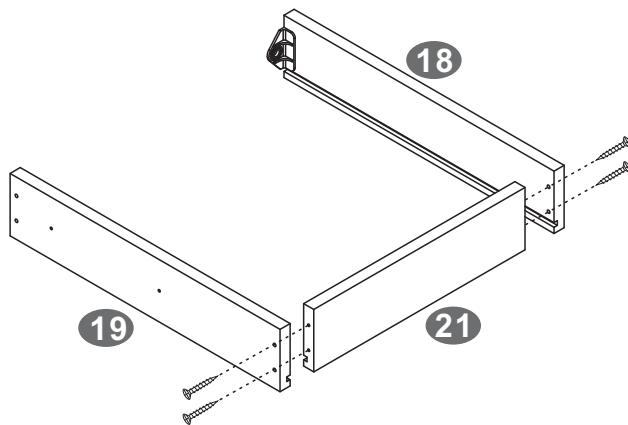
▪ SCREWS

**E** 3X15 MM

 **x4**



13



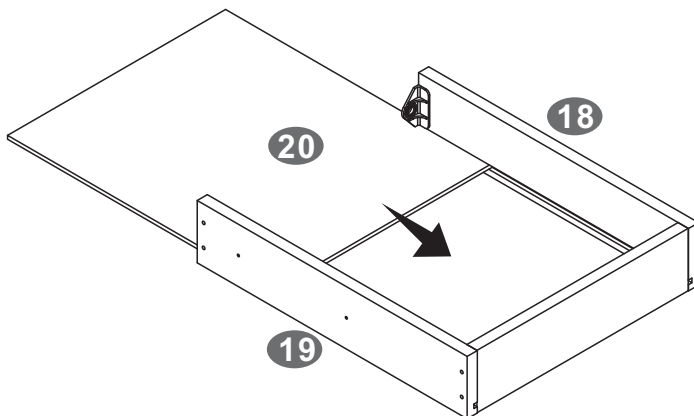
▪ SCREWS

**G** 4X35 MM

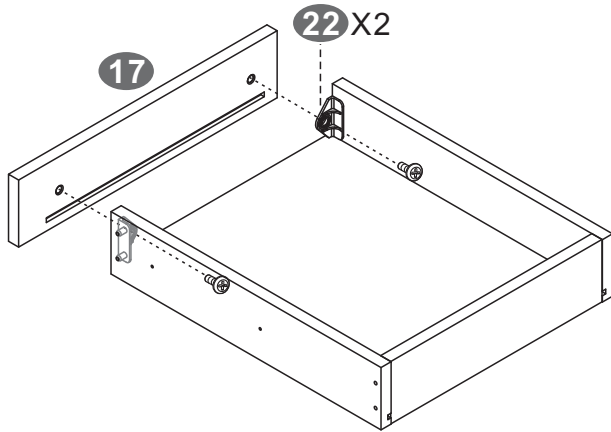
 **x4**



14



15



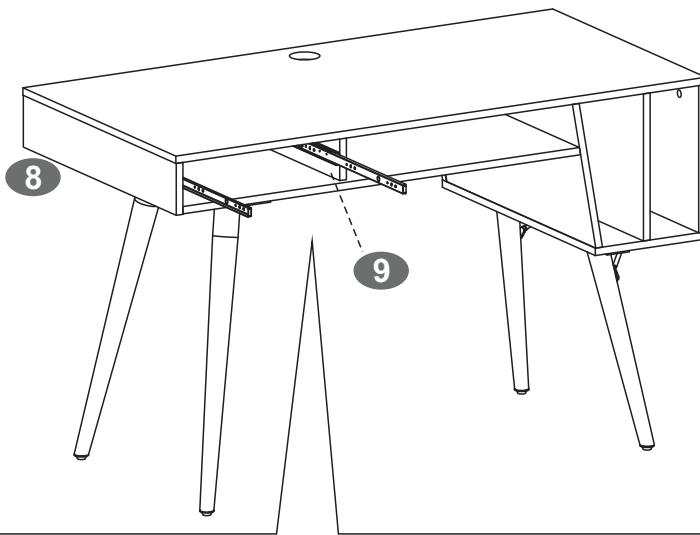
SCREWS

F 6X15 MM

x2



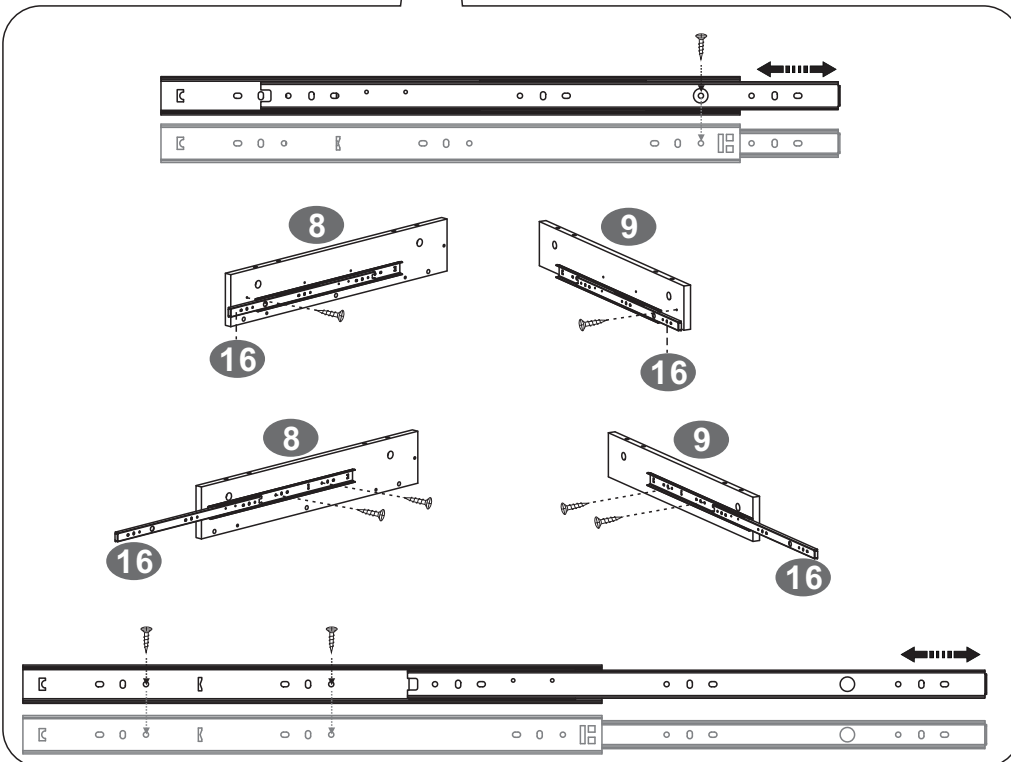
16



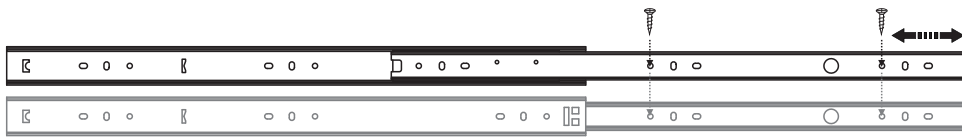
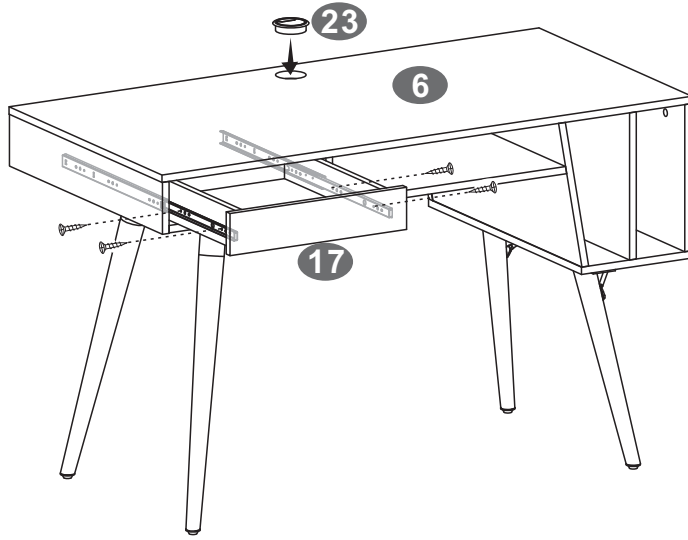
SCREWS

E 3X15 MM

x6



17



■ SCREWS

**E** 3X15 MM

 x4



18

