

# COMPUTER DESK

## ASSEMBLY INSTRUCTIONS

Thank you for choosing to purchase from Piranha Furniture. We trust everything is as expected, however if there are **ANY** issues at all or you have further questions, please don't hesitate to email us and we will resolve the matter as quickly as possible:

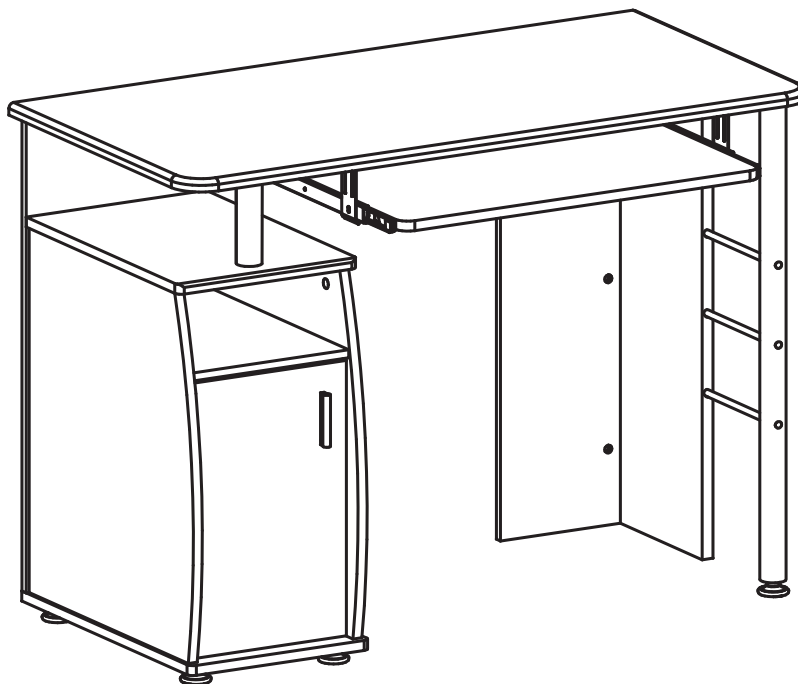
**United Kingdom:** [sales@piranhafurniture.com](mailto:sales@piranhafurniture.com)

**Rest of EU:** [info@piranhaeurope.com](mailto:info@piranhaeurope.com)

You can contact us through our website [www.piranhafurniture.com](http://www.piranhafurniture.com) where you will also find our full range of products.

**Please read the assembly instructions carefully before the installation**

**Retain all packaging as, if required, goods must be returned packed in the original cartons.**



**MODEL PC1**

**General Care:**

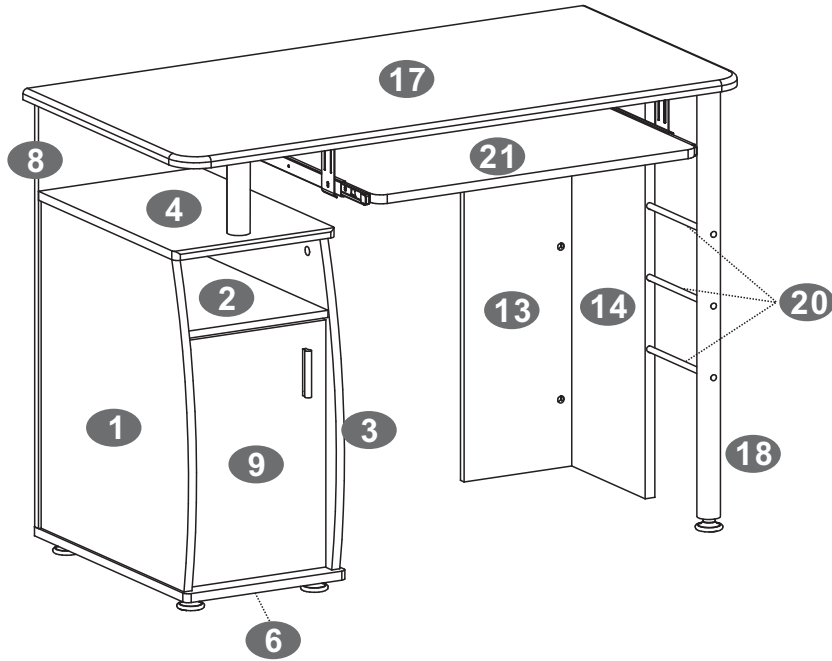
Keep furniture out of direct sunlight. Use mats and coasters to protect surfaces.  
Do not place hot or wet items directly onto unprotected surfaces.

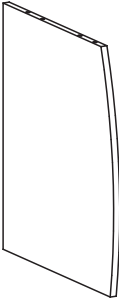
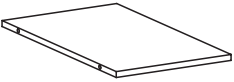
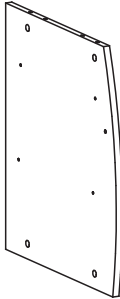
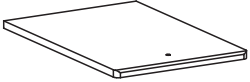
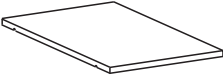
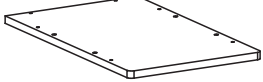
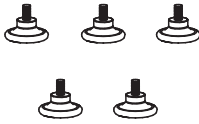
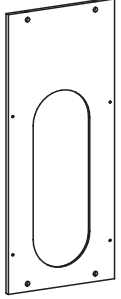
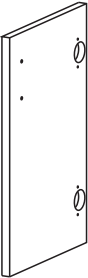
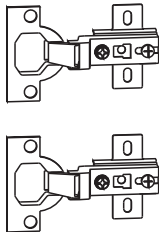


**Cleaning:**

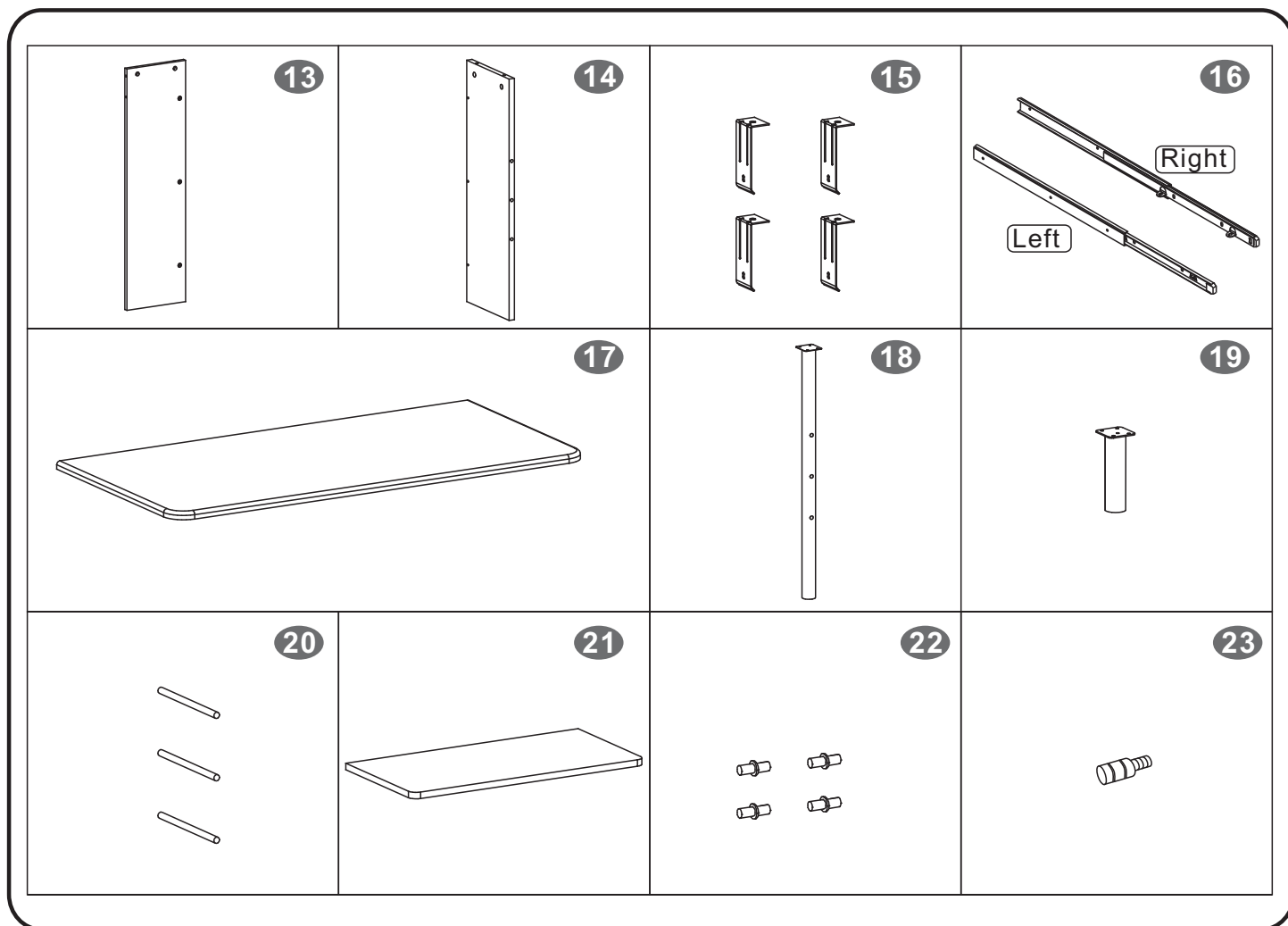
Wipe surfaces with a clean damp (not wet) cloth then dry with a clean lint free cotton cloth.  
Glass surfaces may be polished with window or other glass cleaning liquids.



▪PARTS LIST



 <p>1</p>	 <p>2</p>	 <p>3</p>	 <p>4</p>
 <p>5</p>	 <p>6</p>	 <p>7</p>	 <p>8</p>
 <p>9</p>	 <p>10</p>	 <p>11</p>	 <p>12</p>

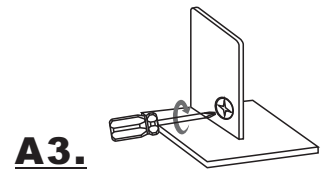
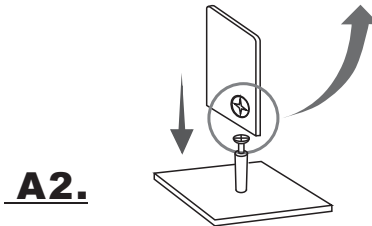
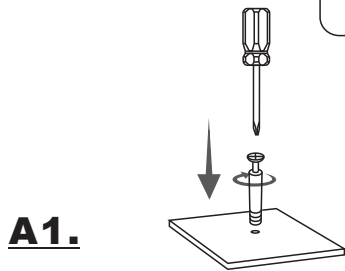
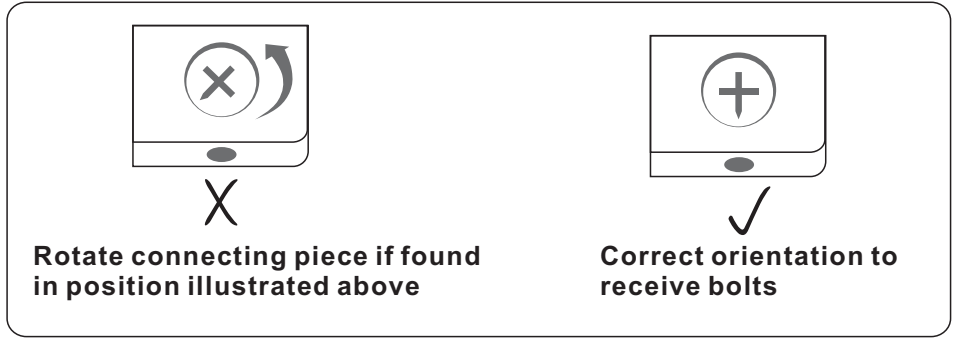
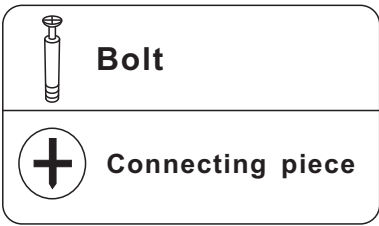


■ SCREWS LIST

PART	QTY.	ITEM	
<b>A</b>	10	6X40 MM	
<b>B</b>	17	6X25 MM	
<b>C</b>	1	6X35 MM	
<b>D</b>	3	6X50 MM	
<b>E</b>	4	6X12 MM	
<b>F</b>	3	6X25 MM	
<b>G</b>	4	5X40 MM	

PART	QTY.	ITEM	
<b>H</b>	12	4X14 MM	
<b>I</b>	8	4X16 MM	
<b>J</b>	2	4X20 MM	
<b>K</b>	4	4X4 MM	
	1		

6X40MM BOLT INSTALLATION AS BELOW:



ASSEMBLY STEPS:

**1**

**22 X4**

**23**

**SCREWS**

**B 6X25 MM**

**4PCS**

**2**

**4**

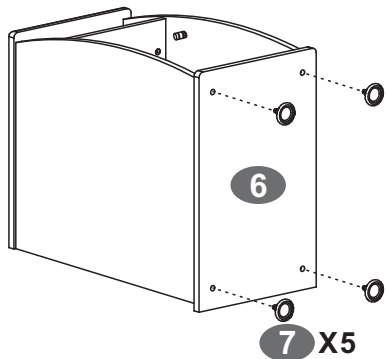
**6**

**SCREWS**

**A 6X40 MM**

**8PCS**

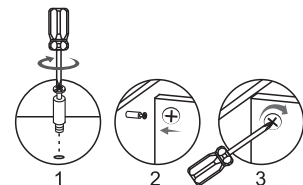
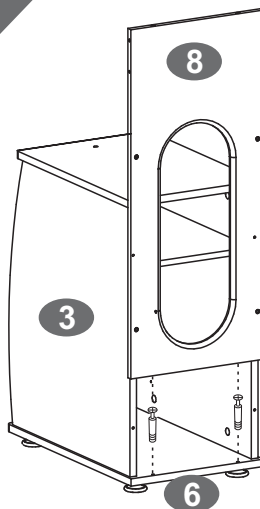
3



18

7 X5

4



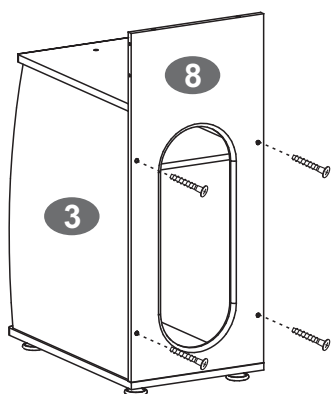
■ SCREWS

**B** 6X25 MM

2PCS



5



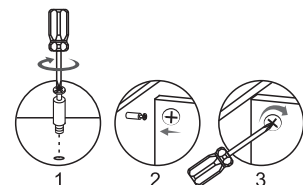
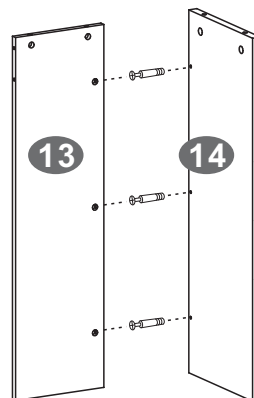
■ SCREWS

**G** 5X40 MM

4PCS



6



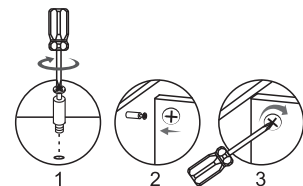
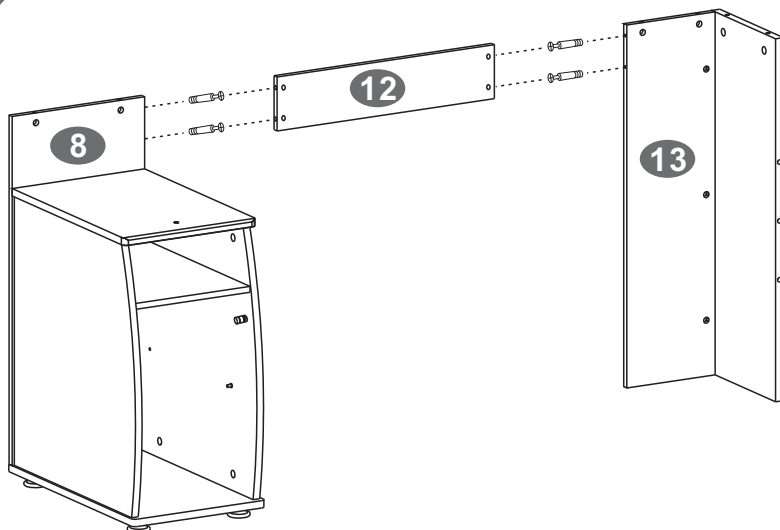
■ SCREWS

**B** 6X25 MM

3PCS



7



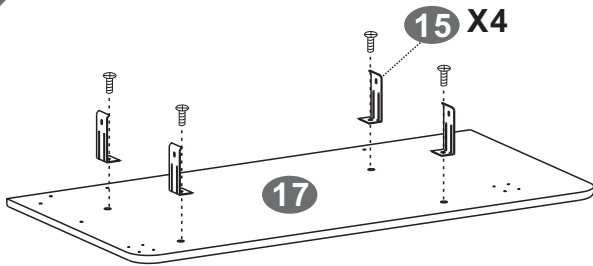
■ SCREWS

**B** 6X25 MM

4PCS



8



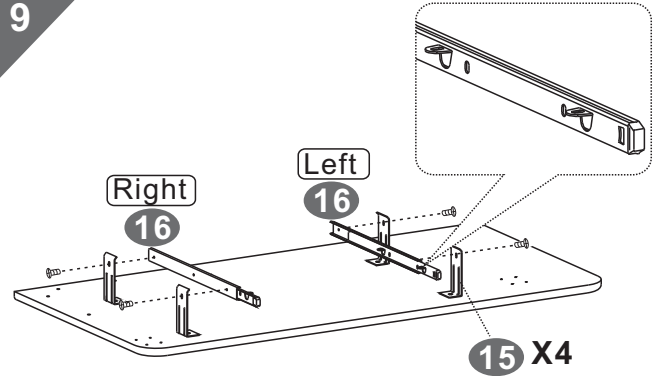
■ SCREWS

**E** 6X12 MM

4PCS



9



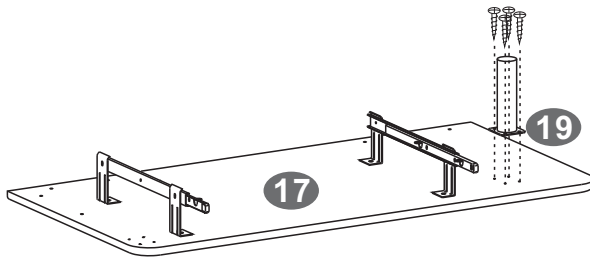
■ SCREWS

**K** 4X4 MM

4PCS



10



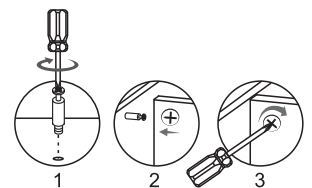
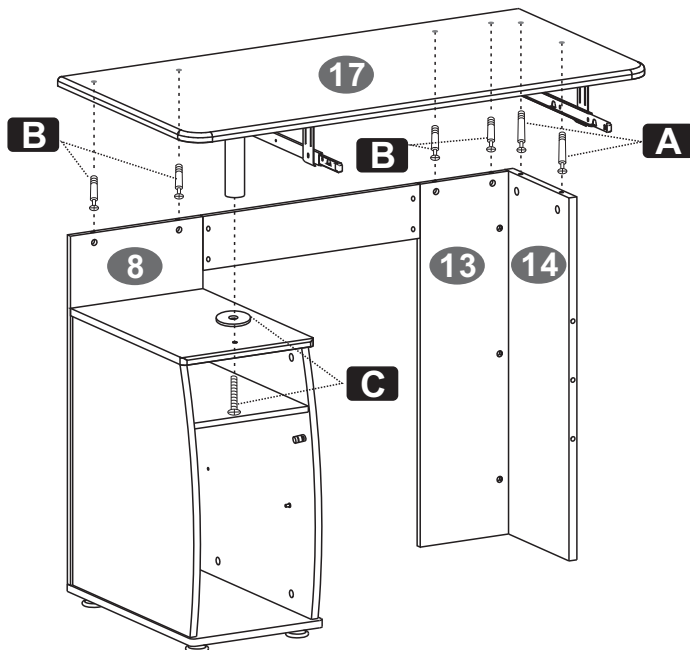
■ SCREWS

**H** 4X14 MM

4PCS



11



■ SCREWS

**A** 6X40 MM

2PCS



**B** 6X25 MM

4PCS

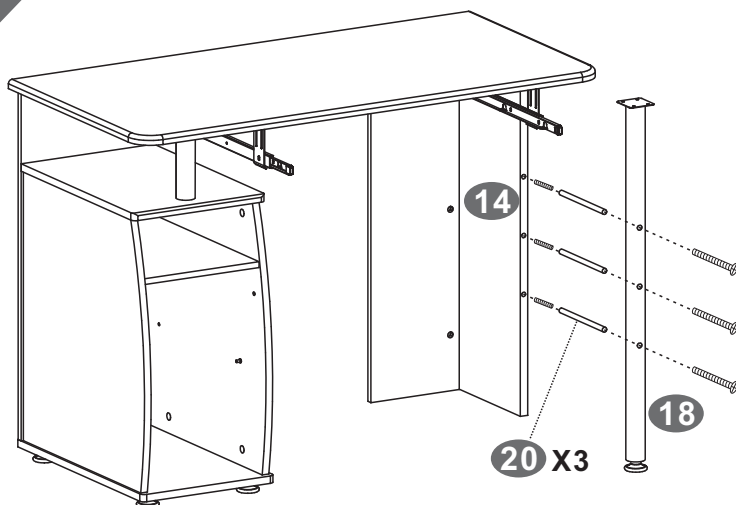


**C** 6X35 MM

1PC



12



▪ SCREWS

**F** 6X25 MM

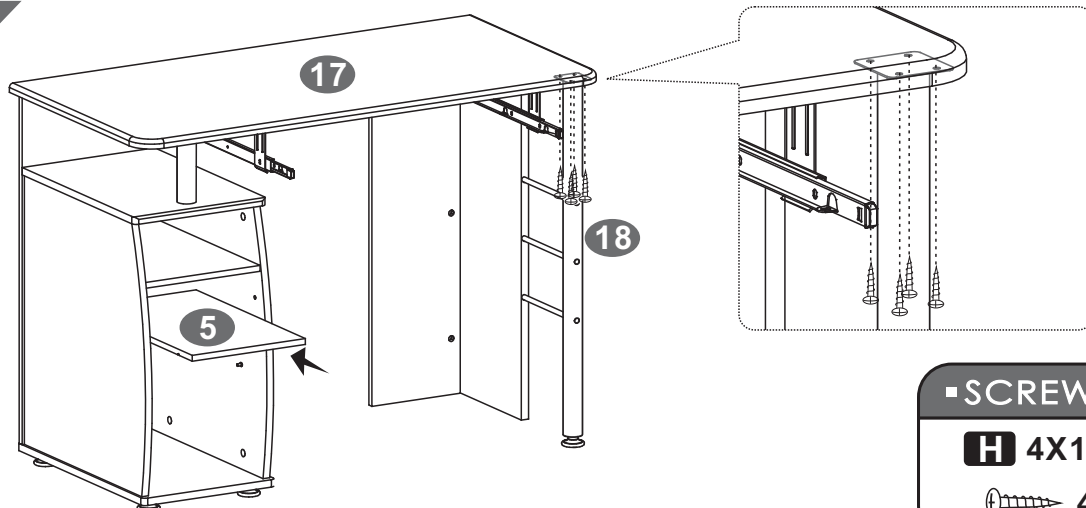
 3PCS

**D** 6X50 MM

 3PCS



13



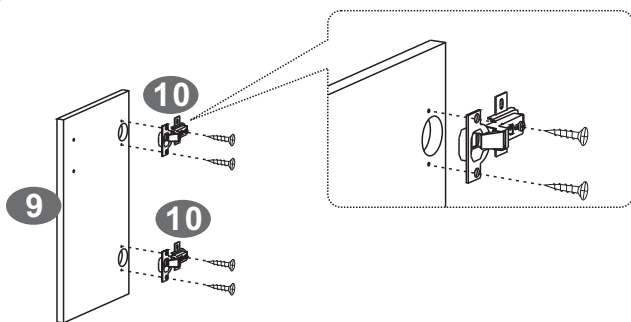
▪ SCREWS

**H** 4X14 MM

 4PCS



14



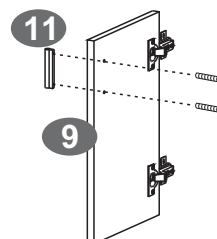
▪ SCREWS

**I** 4X16 MM

 4PCS



15



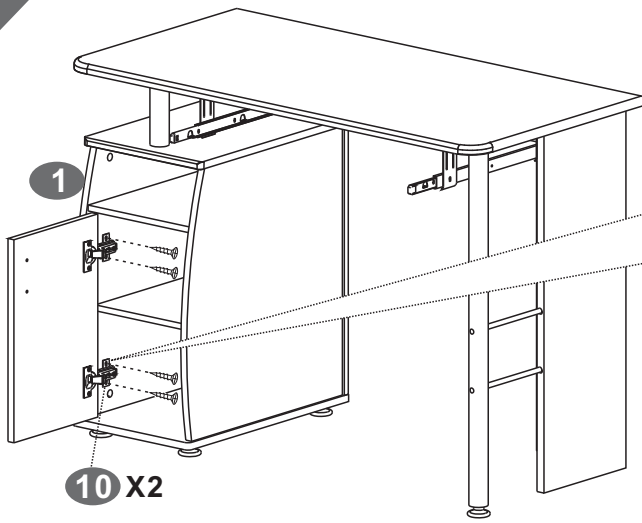
▪ SCREWS

**J** 4X20 MM

 2PCS



16




Loose screws (A)(B), adjust (C) to change height to ideal place


Adjust (A)(B) to change length to ideal location

10 X2

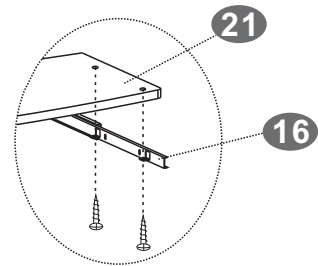
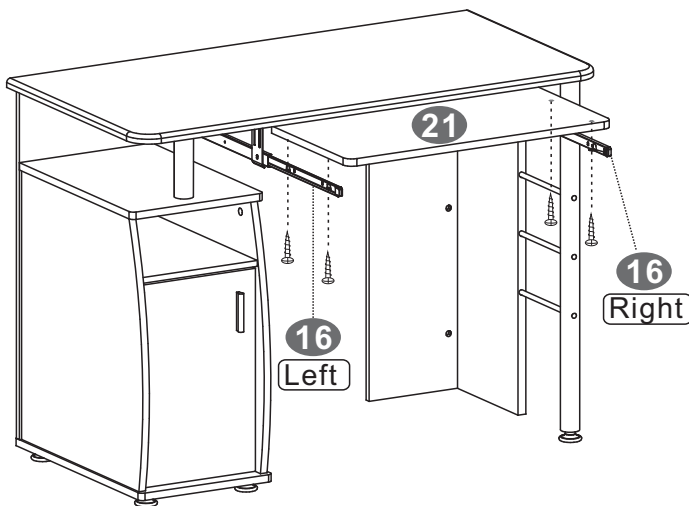
■ SCREWS

**I** 4X16 MM

 4PCS





17



■ SCREWS

**H** 4X14 MM

 4PCS



18

