

COMPUTER DESK

ASSEMBLY INSTRUCTIONS

Thank you for choosing to purchase from Piranha Furniture. We trust everything is as expected, however if there are **ANY** issues at all or you have further questions, please don't hesitate to email us and we will resolve the matter as quickly as possible:

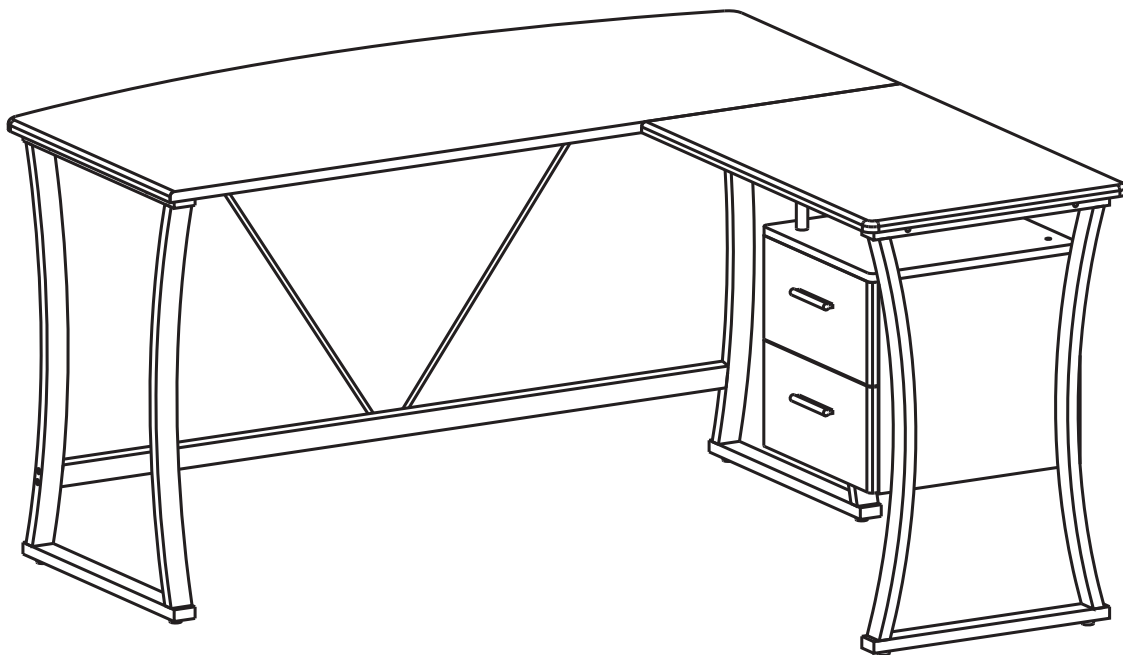
United Kingdom: sales@piranhafurniture.com

Rest of EU: info@piranhaeurope.com

You can contact us through our website www.piranhafurniture.com where you will also find our full range of products.

Please read the assembly instructions carefully before the installation

Retain all packaging as, if required, goods must be returned packed in the original cartons.



MODEL PC19

General Care:

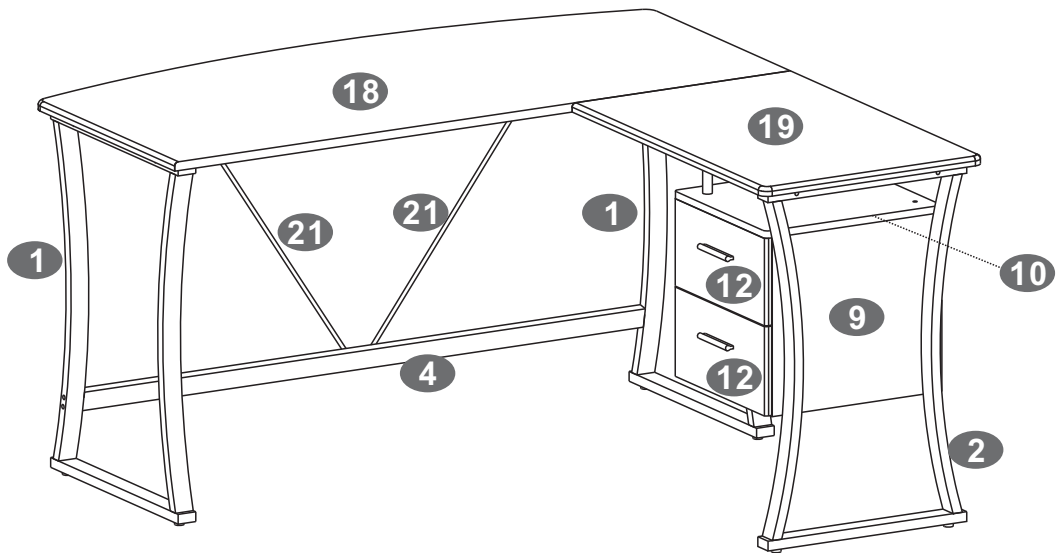
Keep furniture out of direct sunlight. Use mats and coasters to protect surfaces.
Do not place hot or wet items directly onto unprotected surfaces.

Cleaning:

Wipe surfaces with a clean damp (not wet) cloth then dry with a clean lint free cotton cloth.
Glass surfaces may be polished with window or other glass cleaning liquids.

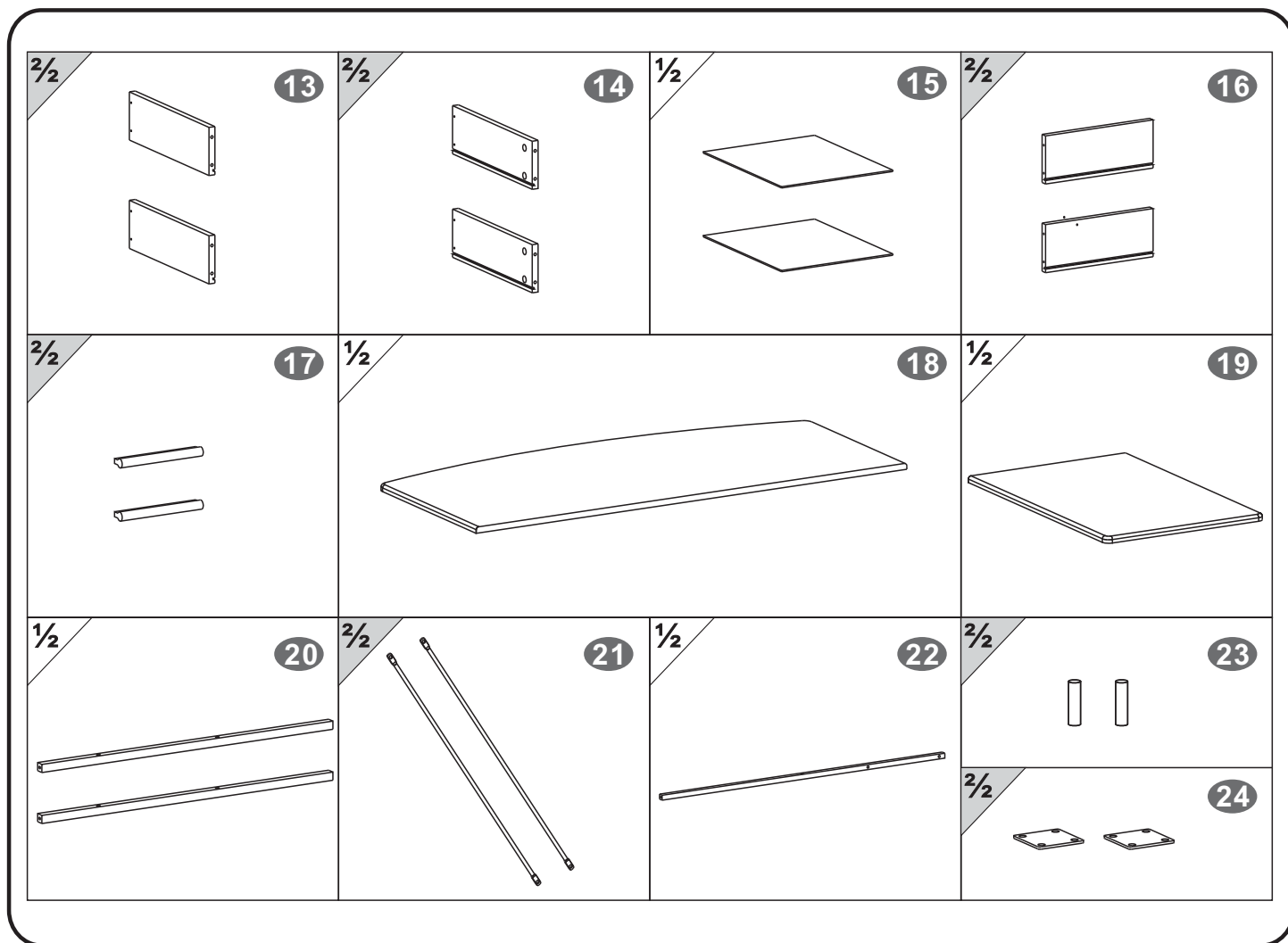


■PARTS LIST


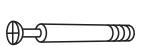








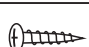

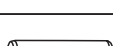

1/2 means this part is packed inside 1st carton
2/2 means this part is packed inside 2nd carton

<p>2/2</p> <p>1</p>	<p>2/2</p> <p>2</p>	<p>2/2</p> <p>3</p>	<p>1/2</p> <p>4</p>
<p>1/2</p> <p>5</p>	<p>2/2</p> <p>6</p>	<p>2/2</p> <p>7</p>	<p>2/2</p> <p>8</p>
<p>2/2</p> <p>9</p>	<p>1/2</p> <p>10</p>	<p>2/2</p> <p>11</p> <p>Left Right</p> <p>Left Right</p> <p>2SETS</p>	<p>2/2</p> <p>12</p>

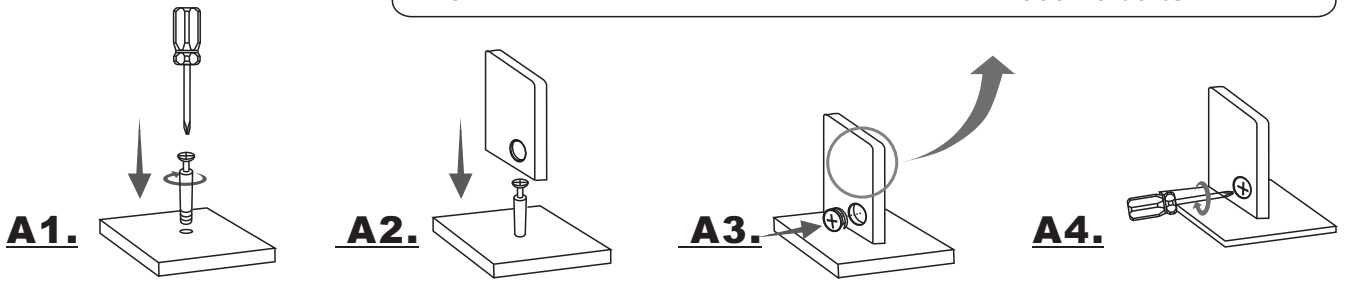
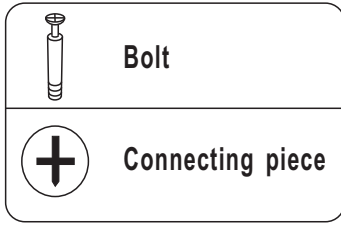


▪SCREWS LIST

PART	QTY.	ITEM	
A	16	3X15 MM	
B	20	6X40 MM	
C	19	6X30 MM	
D	10	6X50 MM	
E	8	4X35 MM	
F	4	4X20 MM	

PART	QTY.	ITEM	
G	5	Φ 16 MM	
H	4	6X12 MM	
I	8	4X14 MM	
J	20	Φ 15 MM	
K	8	8X30 MM	
	1		

6X40MM BOLT INSTALLATION AS BELOW:



ASSEMBLY STEPS:

1

SCREWS

B 6X40 MM 4PCS

J Φ 15 MM 4PCS

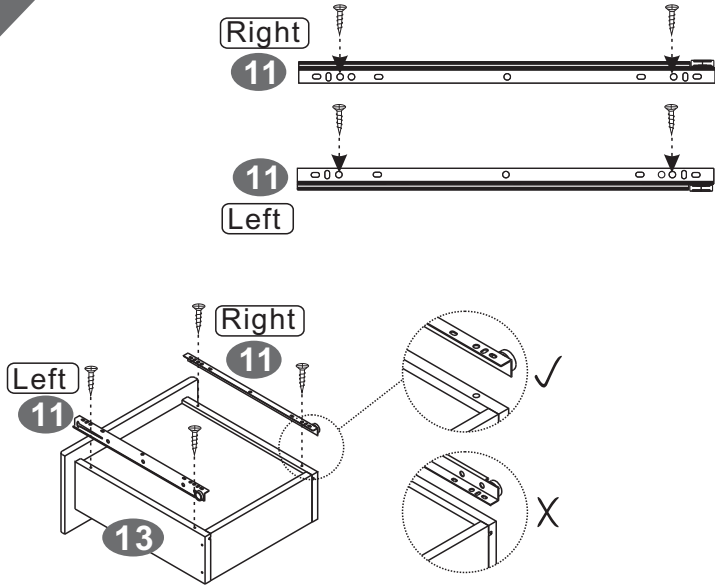
2

3


SCREWS

E 4X35 MM 4PCS

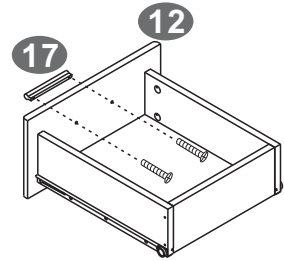
4



▪ SCREWS


A 3X15 MM  8PCS

5

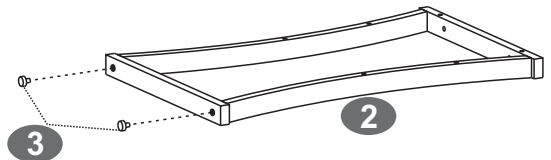
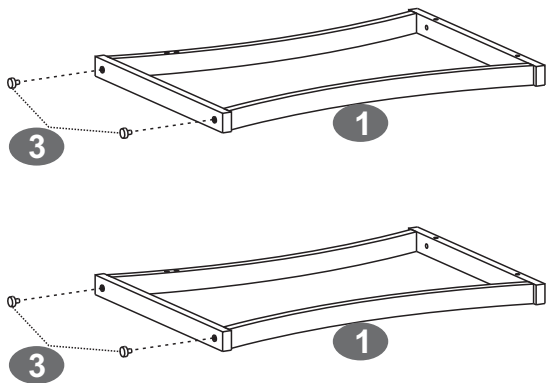


Repeat steps 1 to 5 to install the other drawer

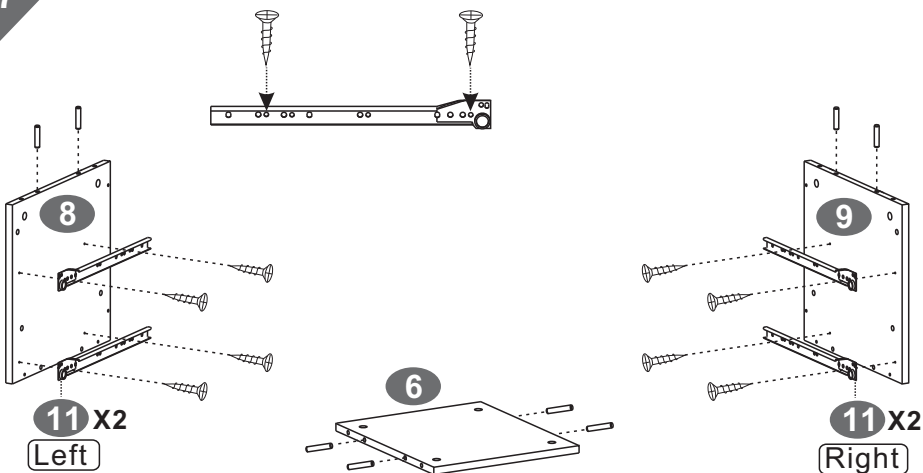
▪ SCREWS

F 4X20 MM  2PCS


6




7

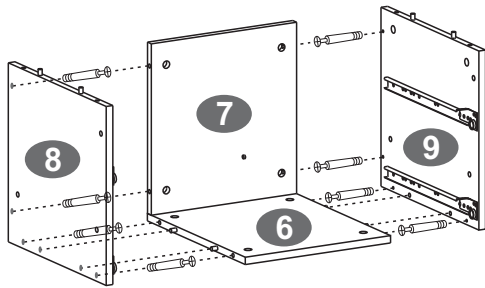


▪ SCREWS

A 3X15 MM  8PCS

K 8X30 MM  8PCS

8



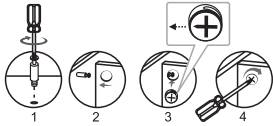
SCREWS

B 6X40 MM

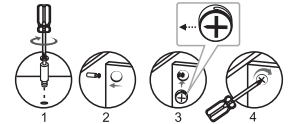
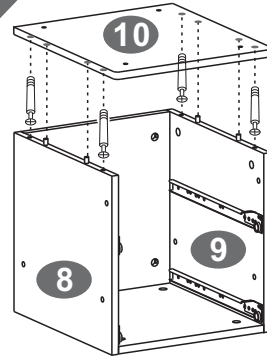
8PCS

J Φ 15 MM

8PCS



9



SCREWS

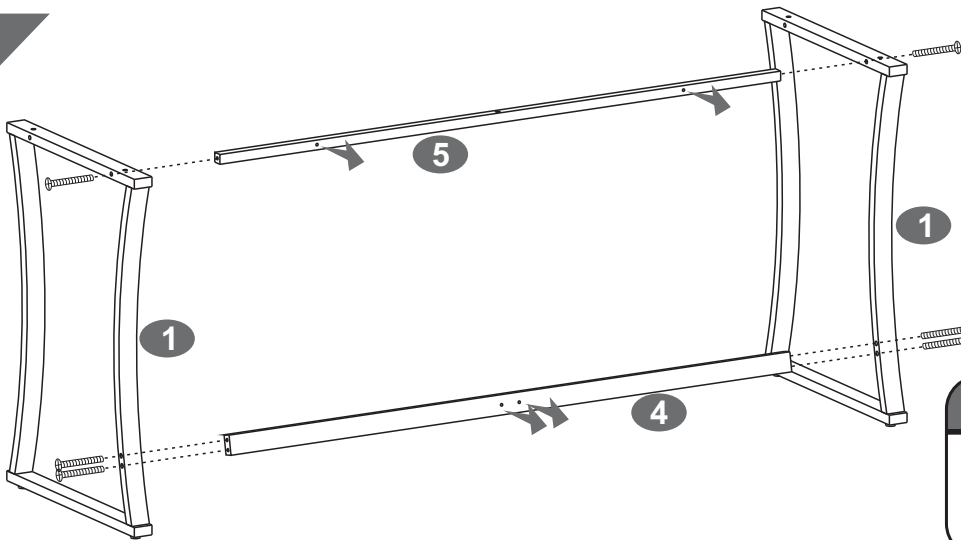
B 6X40 MM

4PCS

J Φ 15 MM

4PCS

10

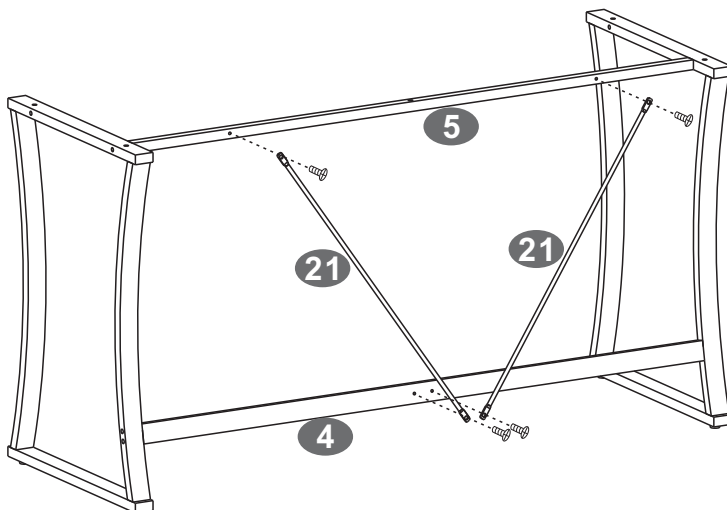


SCREWS

D 6X50 MM

6PCS

11

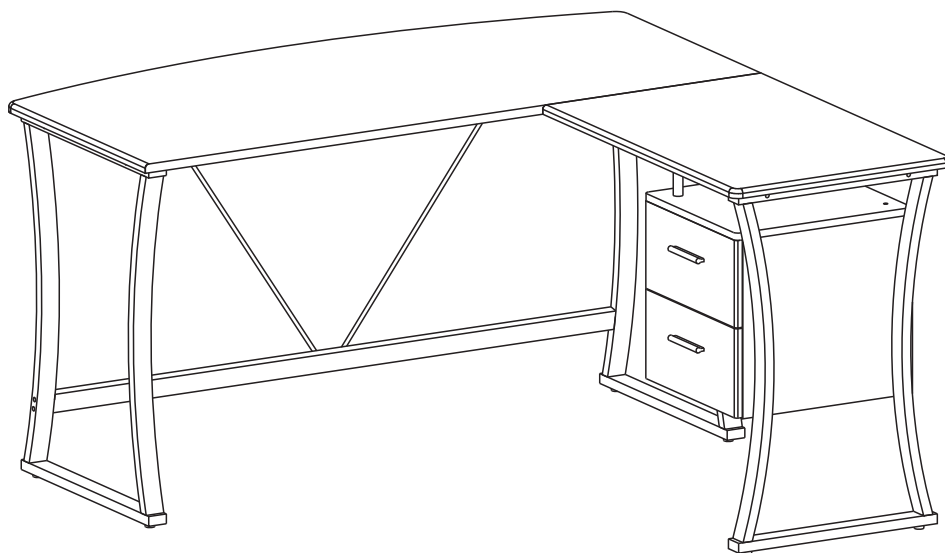
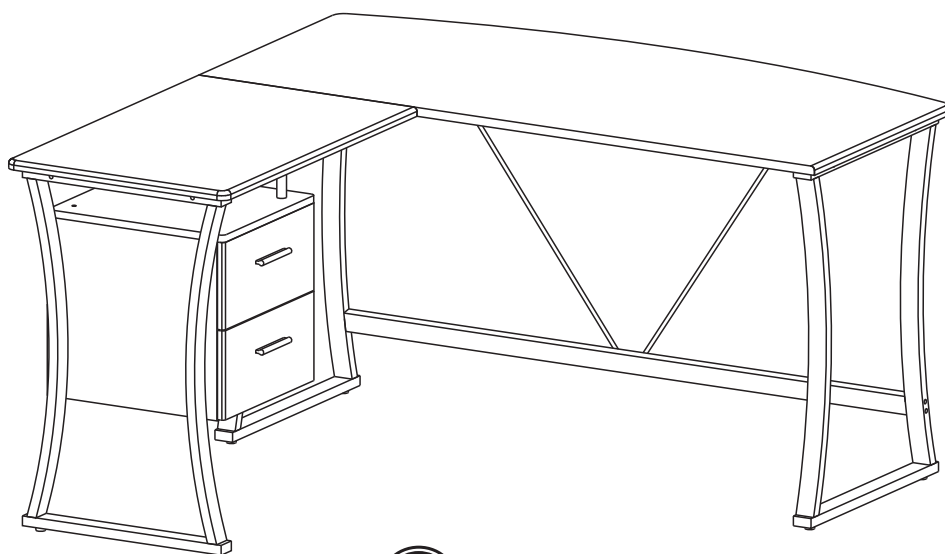


SCREWS

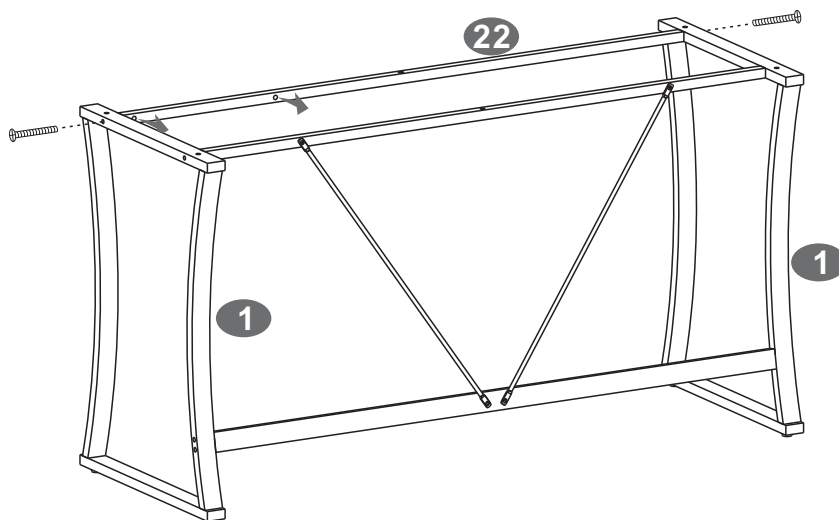
H 6X12 MM

4PCS


**** There are 2 options to assemble our desk, please choose it according to your preference.**

**A****A1-A8****B****B1-B8**

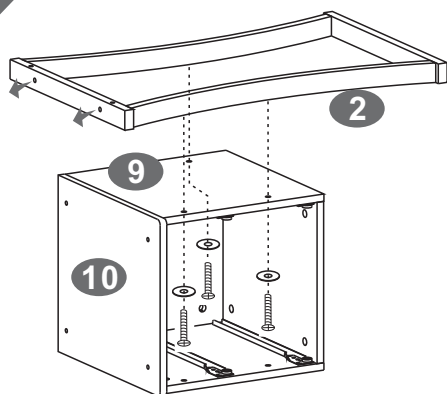
A1





SCREWS

- D** 6X50 MM  2PCS

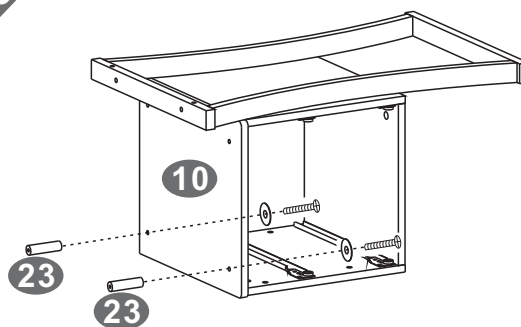
A2





SCREWS

- C** 6X30 MM  3PCS
- G**  3PCS

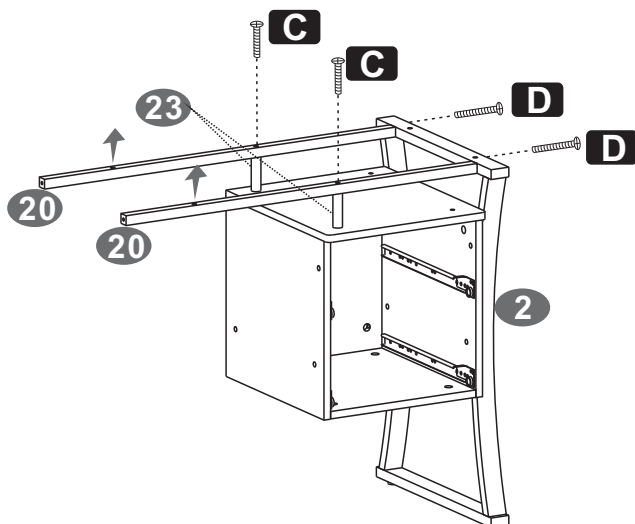
A3



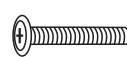

SCREWS

- C** 6X30 MM  2PCS
- G**  2PCS

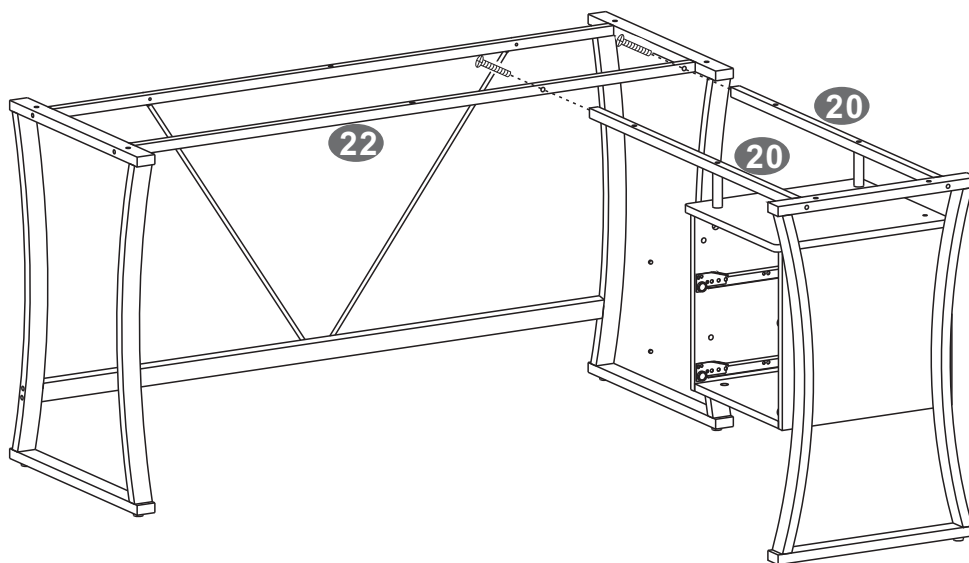
A4



SCREWS

- C** 6X30 MM  2PCS
- D** 6X50 MM  2PCS

A5



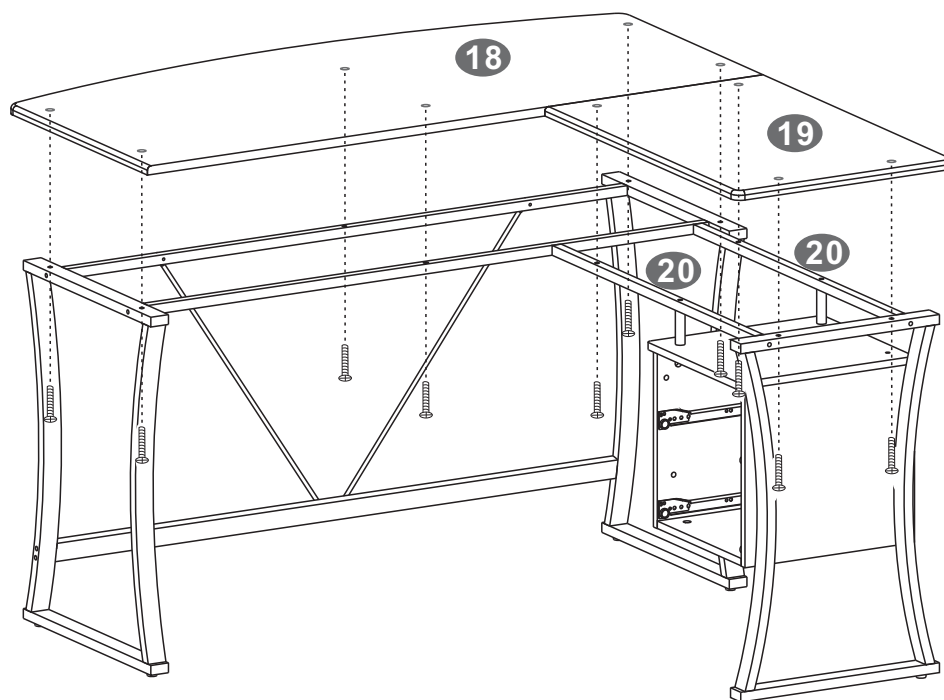
■ SCREWS

C 6X30 MM

 2PCS



A6



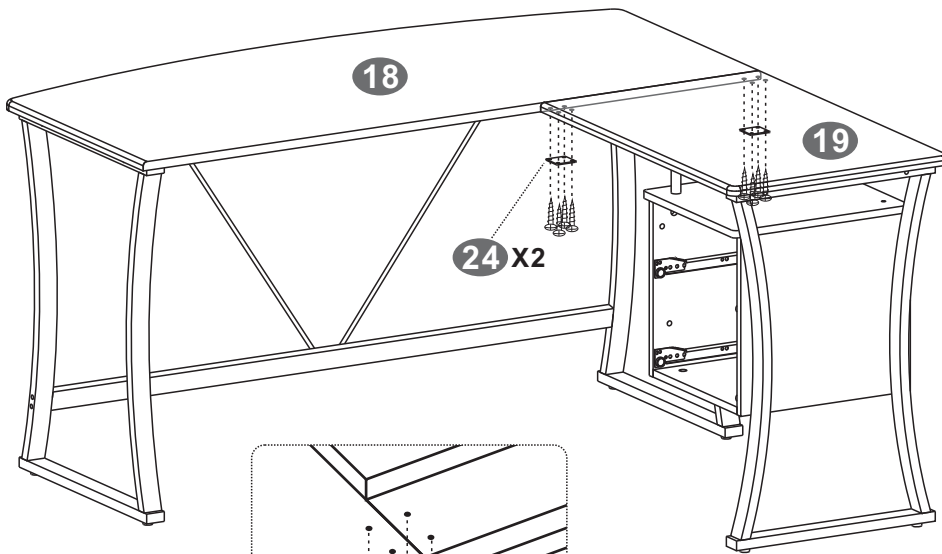
■ SCREWS

C 6X30 MM

 10PCS



A7



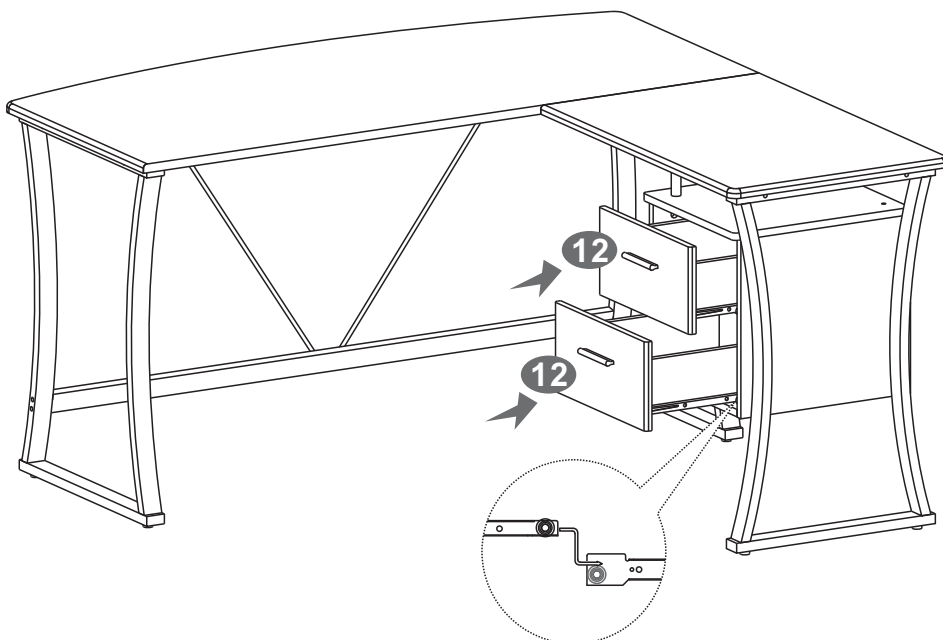
■ SCREWS

■ 4X14 MM

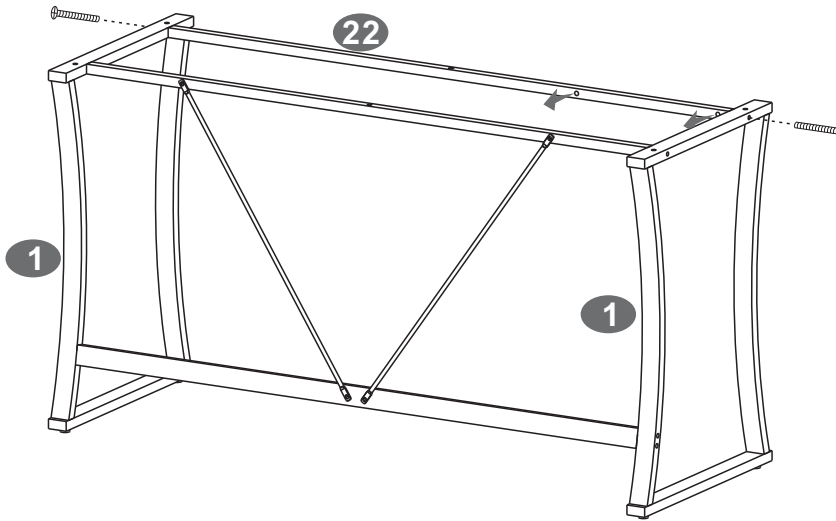
● 8PCS



A8



B1



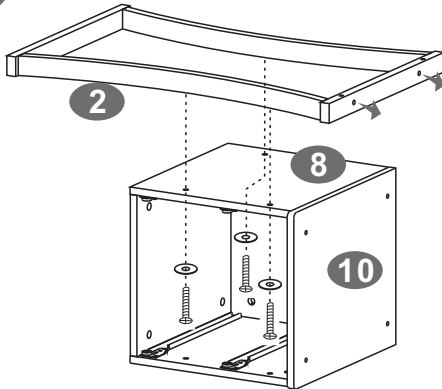
■ SCREWS

D 6X50 MM

 2PCS



B2

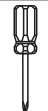


■ SCREWS

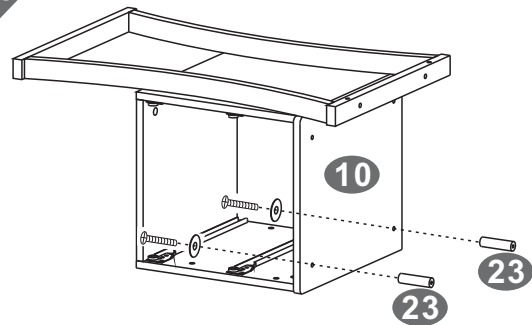
C 6X30 MM

 3PCS

G  3PCS



B3



■ SCREWS

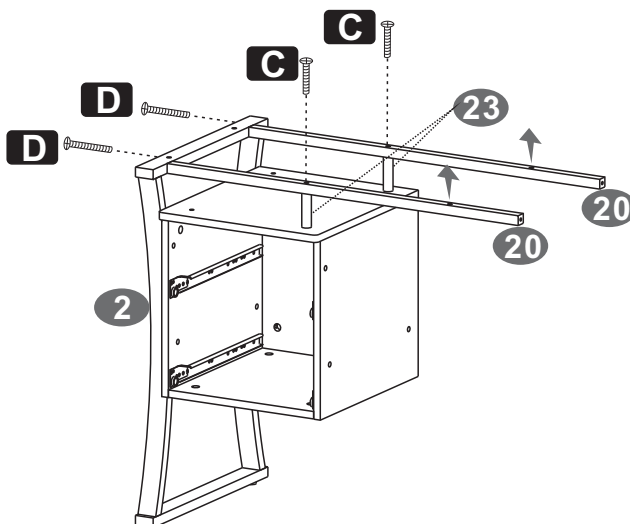
C 6X30 MM

 2PCS

G  2PCS



B4



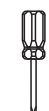
■ SCREWS

C 6X30 MM

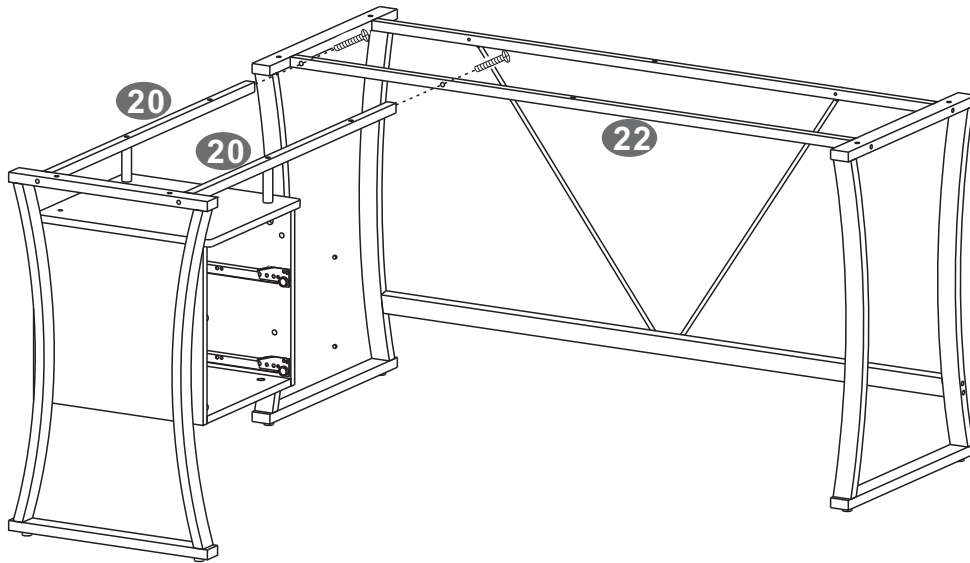
 2PCS

D 6X50 MM

 2PCS



B5



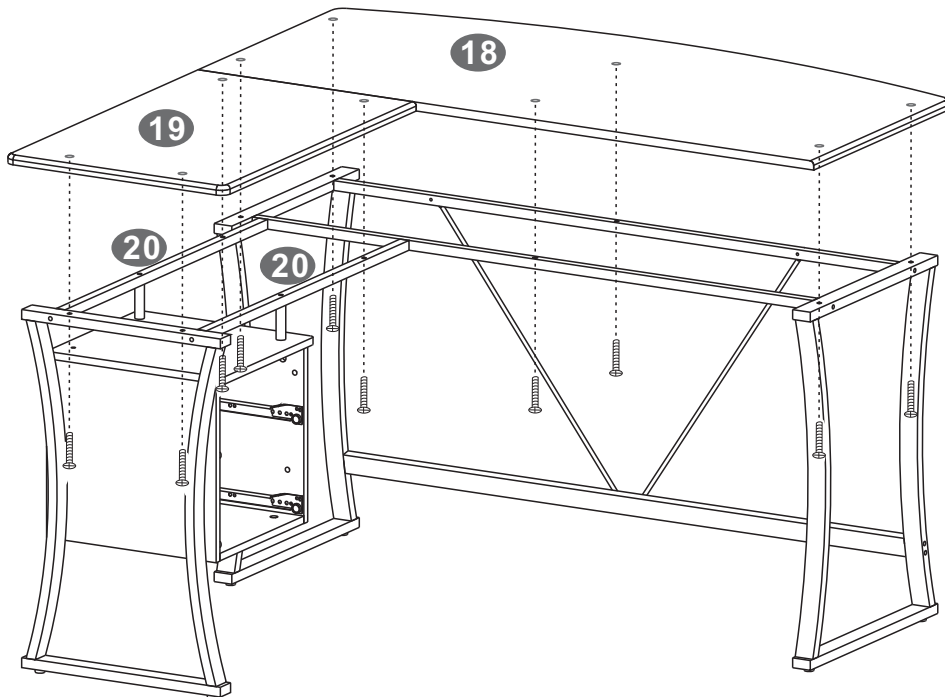
■ SCREWS

C 6X30 MM

 2PCS



B6



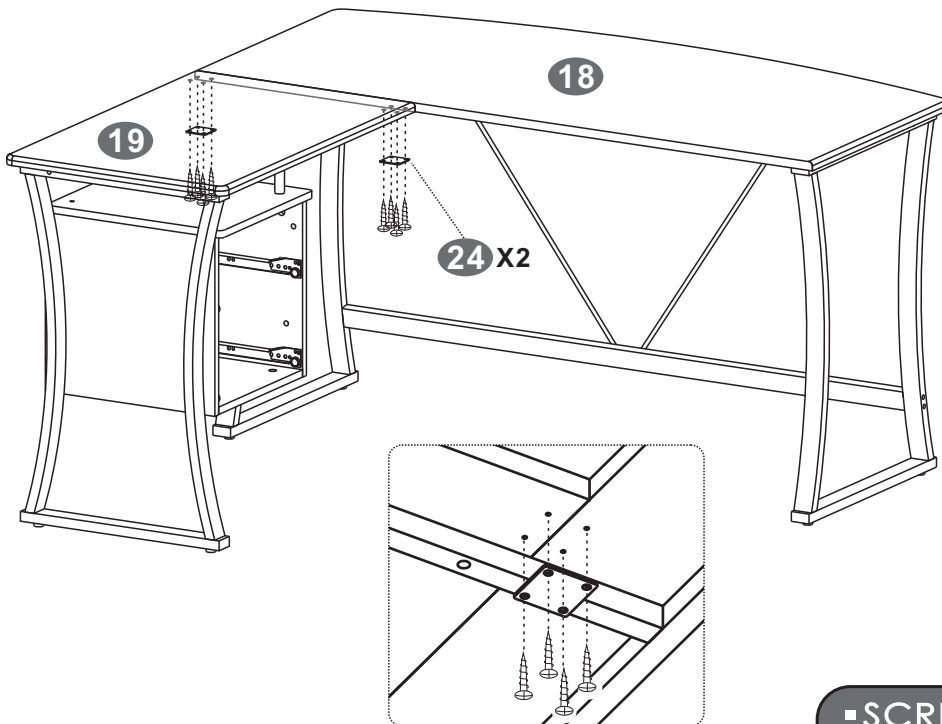
■ SCREWS

C 6X30 MM

 10PCS



B7



■ SCREWS

■ 4X14 MM

● 8PCS



B8

