

STORE CABINET

ASSEMBLY INSTRUCTIONS

Thank you for choosing to purchase from Piranha Furniture. We trust everything is as expected, however if there are **ANY** issues at all or you have further questions, please don't hesitate to email us and we will resolve the matter as quickly as possible:

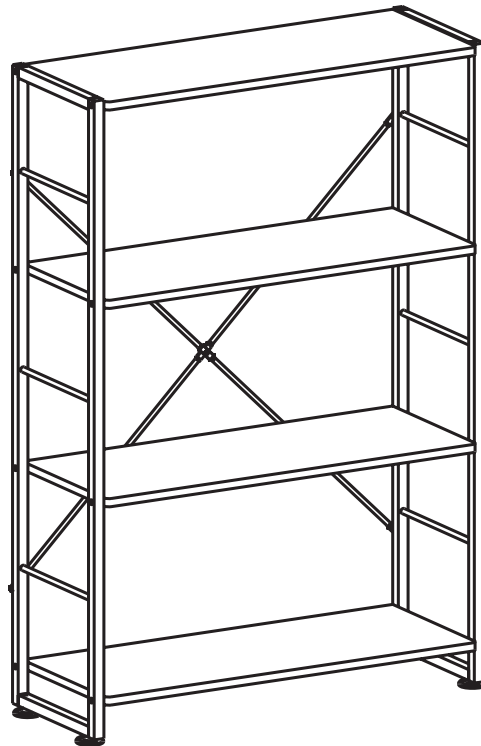
United Kingdom: sales@piranhafurniture.com

Rest of EU: info@piranhaeurope.com

You can contact us through our website www.piranhafurniture.com where you will also find our full range of products.

Please read the assembly instructions carefully before the installation

Retain all packaging as, if required, goods must be returned packed in the original cartons.



TWO PEOPLE REQUIRED

MODEL PC12

General Care:

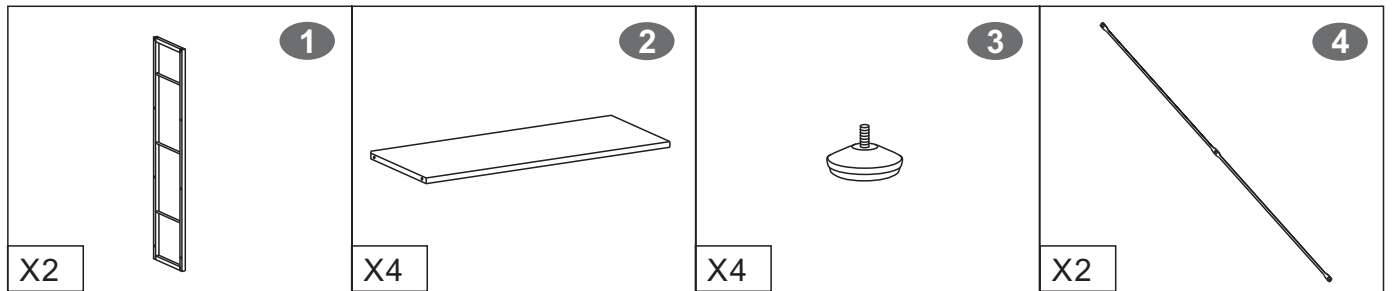
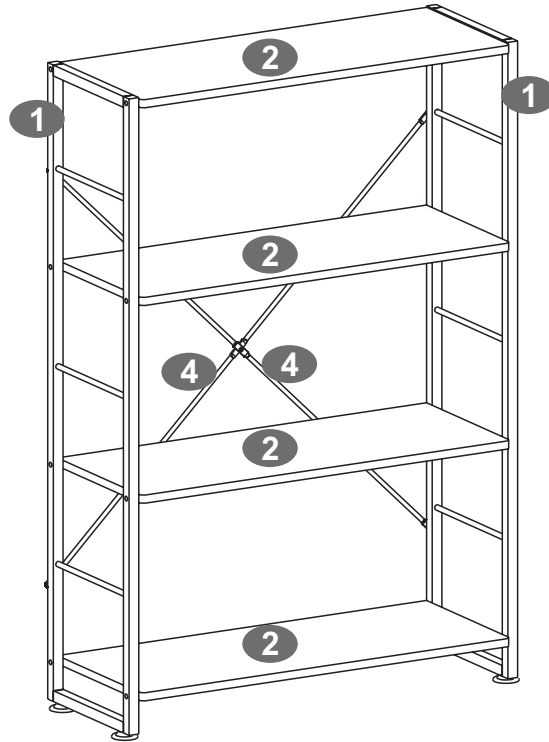
Keep furniture out of direct sunlight. Use mats and coasters to protect surfaces.
Do not place hot or wet items directly onto unprotected surfaces.

Cleaning:


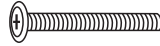

Wipe surfaces with a clean damp (not wet) cloth then dry with a clean lint free cotton cloth.
Glass surfaces may be polished with window or other glass cleaning liquids.






▪PARTS LIST



▪SCREWS LIST

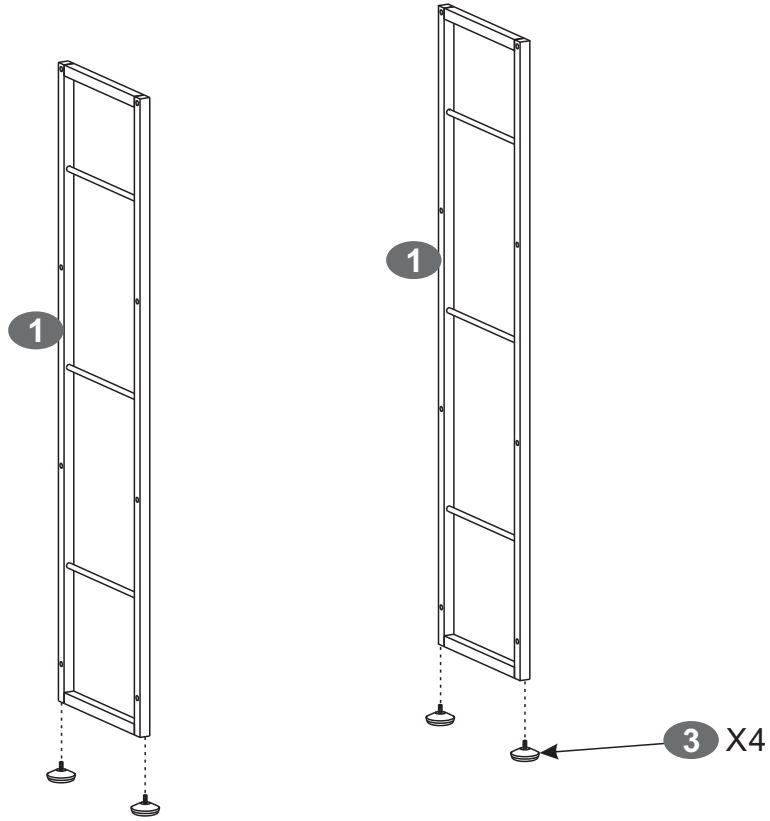
PART	QTY.	ITEM	
A	5	6X12 MM	
B	16	6X45 MM	
C	1	M6	

PART	QTY.	ITEM	
D	2		
E	16	Φ 10 MM	
	1		

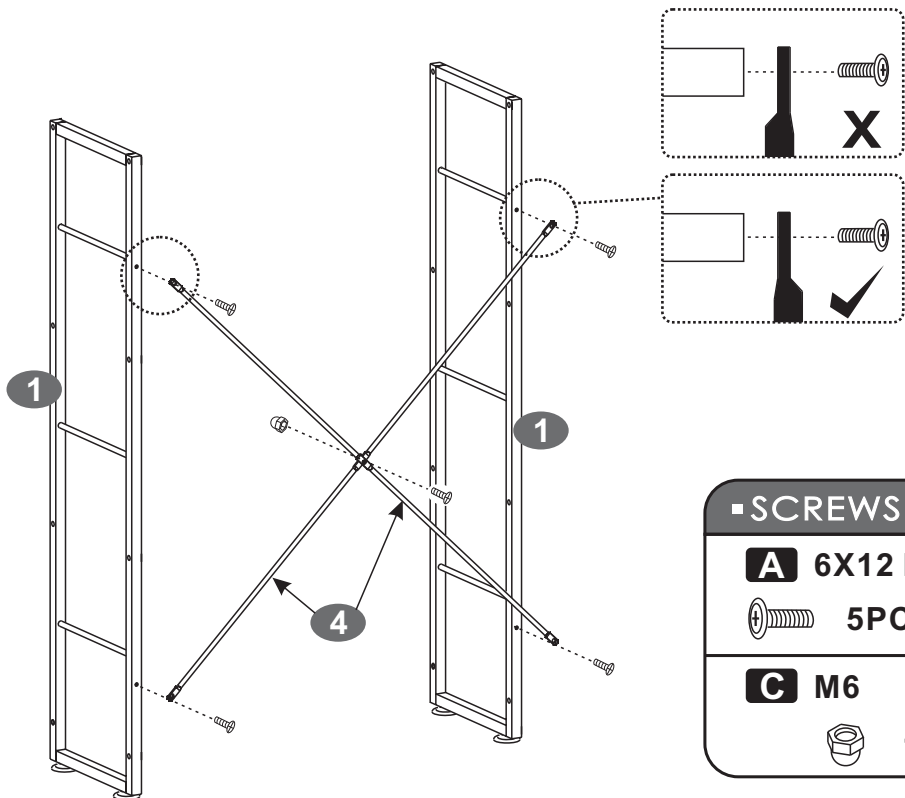


■ ASSEMBLY STEPS:

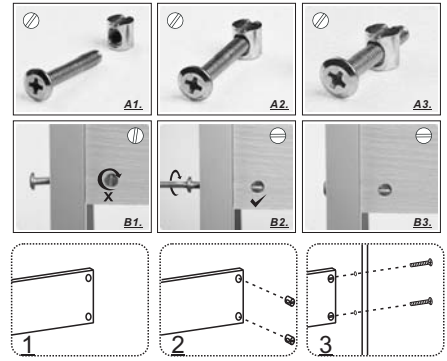
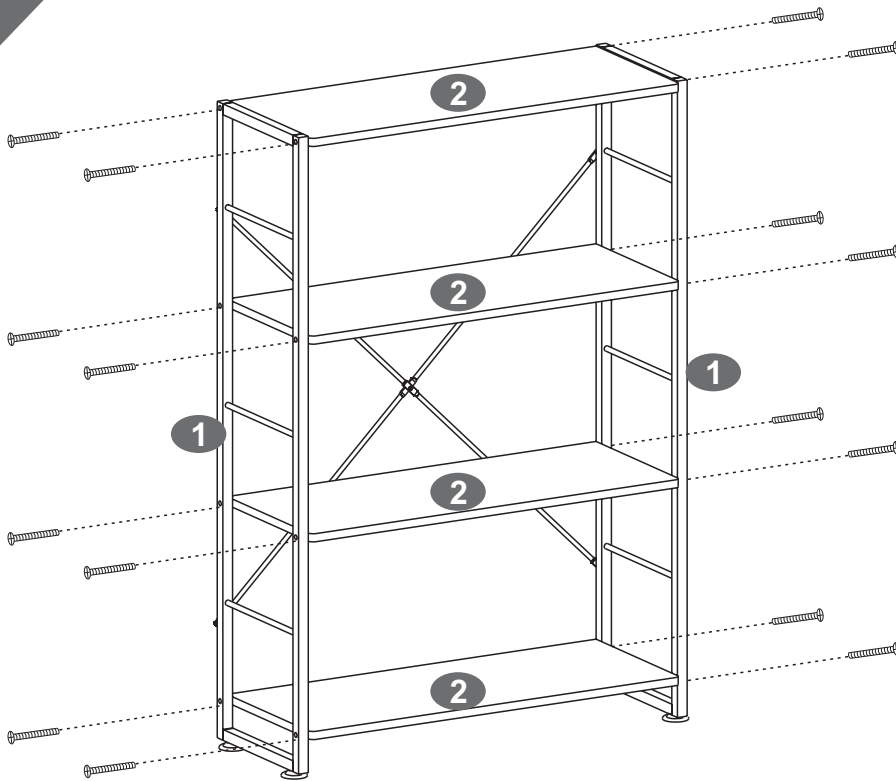
1


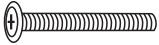



2



3



SCREWS	
B 6X45 MM	
 16PCS	
E Φ 10 MM	
 16PCS	

4

