

FILING CABINET

ASSEMBLY INSTRUCTIONS

Thank you for choosing to purchase from Piranha Furniture. We trust everything is as expected, however if there are **ANY** issues at all or you have further questions, please don't hesitate to email us and we will resolve the matter as quickly as possible:

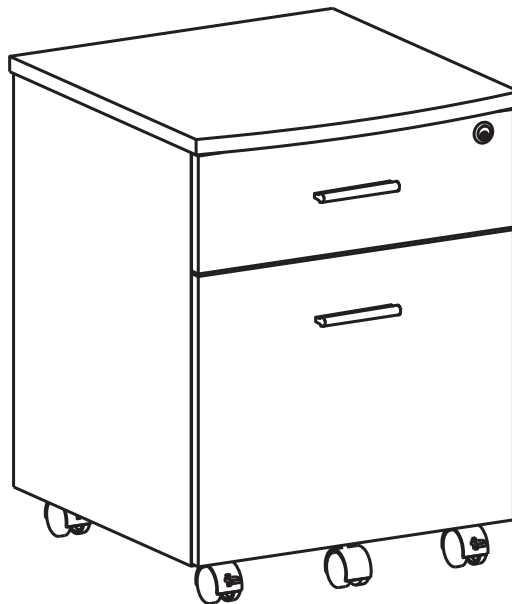
United Kingdom: sales@piranhafurniture.com

Rest of EU: info@piranhaeurope.com

You can contact us through our website www.piranhafurniture.com where you will also find our full range of products.

Please read the assembly instructions carefully before the installation

Retain all packaging as, if required, goods must be returned packed in the original cartons.



TWO PEOPLE REQUIRED

MODEL PC10

General Care:

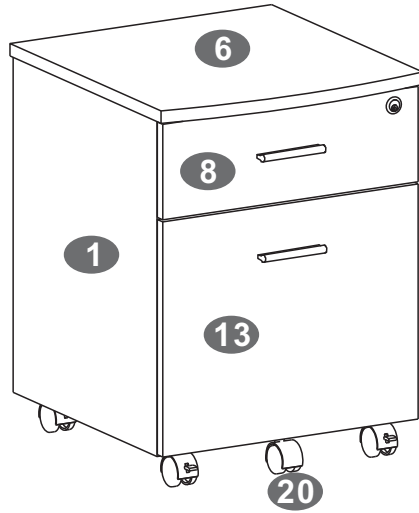
Keep furniture out of direct sunlight. Use mats and coasters to protect surfaces.
Do not place hot or wet items directly onto unprotected surfaces.

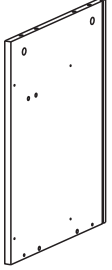
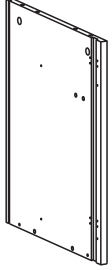

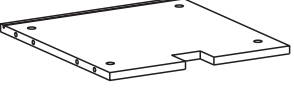
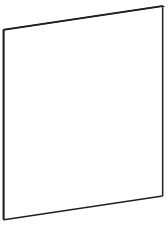
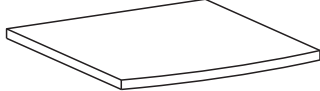

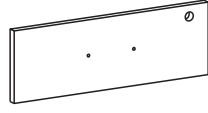
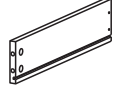
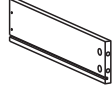


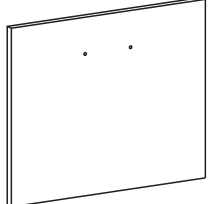
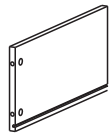
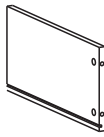
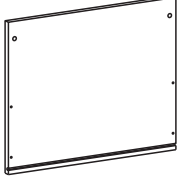
Cleaning:

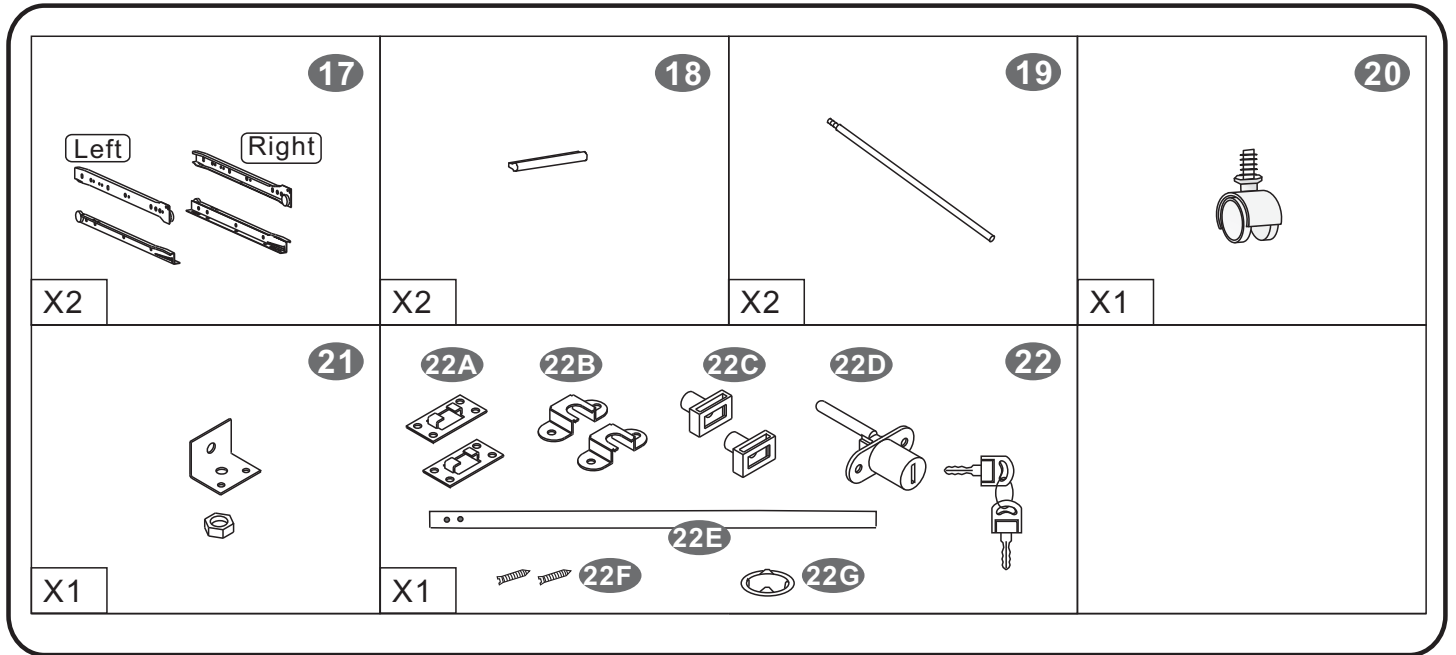
Wipe surfaces with a clean damp (not wet) cloth then dry with a clean lint free cotton cloth.
Glass surfaces may be polished with window or other glass cleaning liquids.



▪PARTS LIST



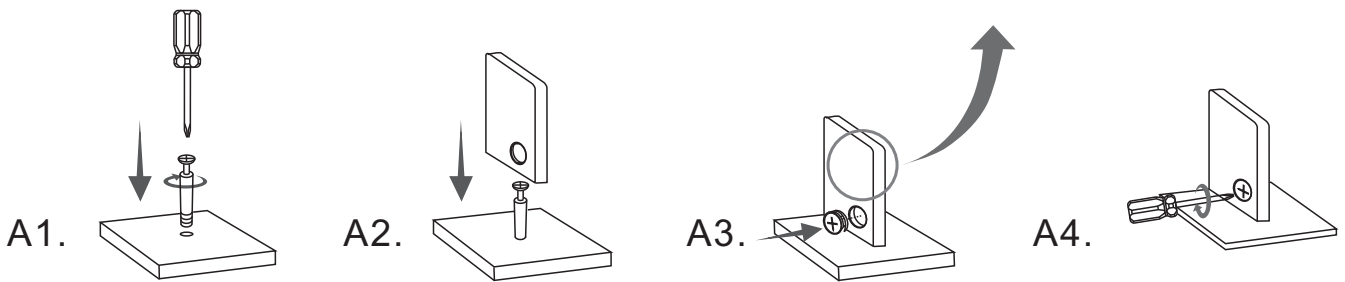
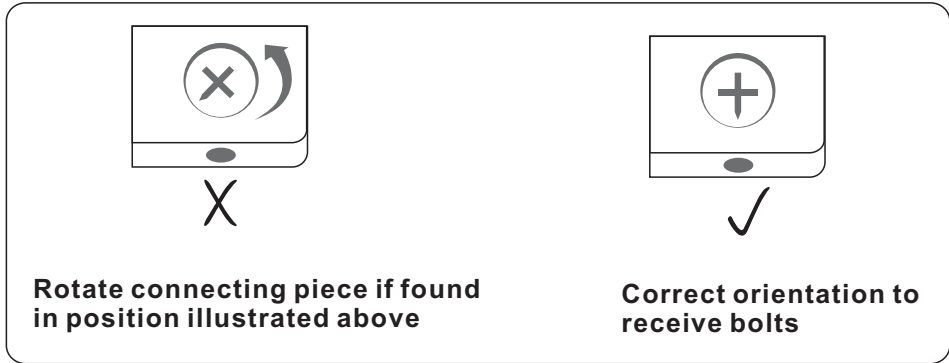
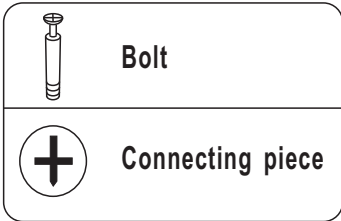
 X1	 X1	 X1	 X1
 X1	 X1	 X2	 X1
 X1	 X1	 X2	 X1
 X1	 X1	 X1	 X1



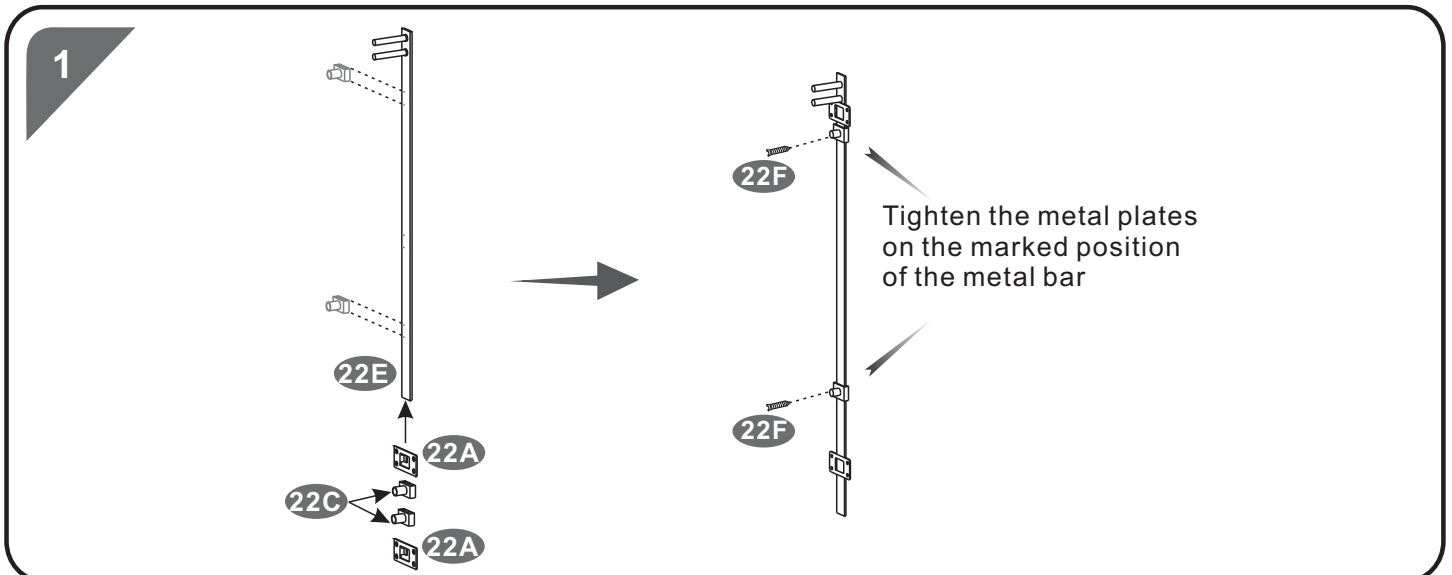
▪SCREWS LIST

PART	QTY.	ITEM		PART	QTY.	ITEM	
A	1	6X12 MM		H	4	3X12 MM	
B	12	6X40 MM		I	12	Φ 15 MM	
C	18	4X14 MM		J	8	Φ 12 MM	
D	8	4X35 MM		K	8	8X30 MM	
E	4	4X22 MM			1		
F	26	3X15 MM			1		
G	8	6X25 MM					

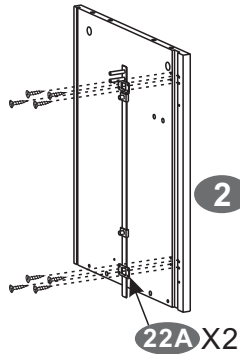
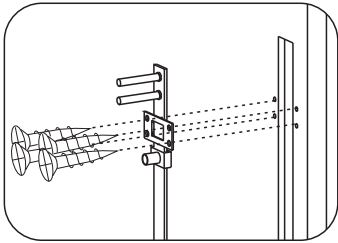
6X40MM 6X25MM BOLT INSTALLATION AS BELOW:



ASSEMBLY STEPS:



2



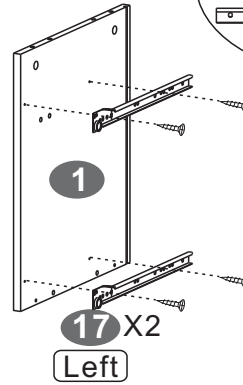
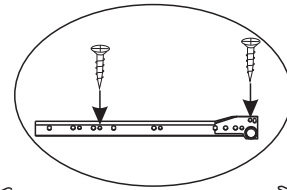
■ SCREWS

F 3X15 MM

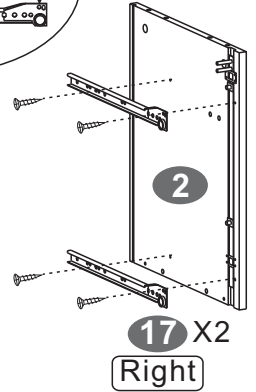
8PCS



3



Left



Right

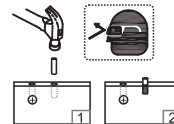
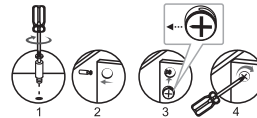
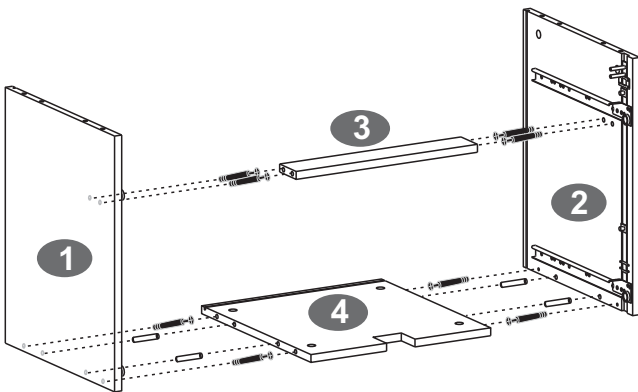
■ SCREWS

F 3X15 MM

8PCS



4



■ SCREWS

B 6X40 MM

8PCS



L Φ 15 MM

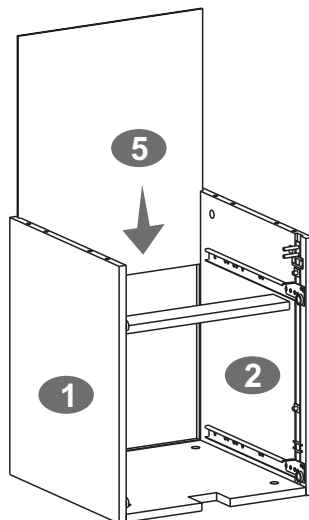
8PCS



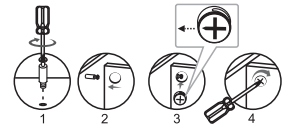
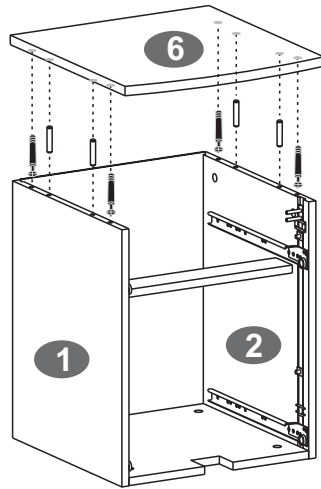
K 8X30 MM

4PCS

5



6



SCREWS

B 6X40 MM

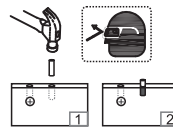
4PCS

L Φ 15 MM

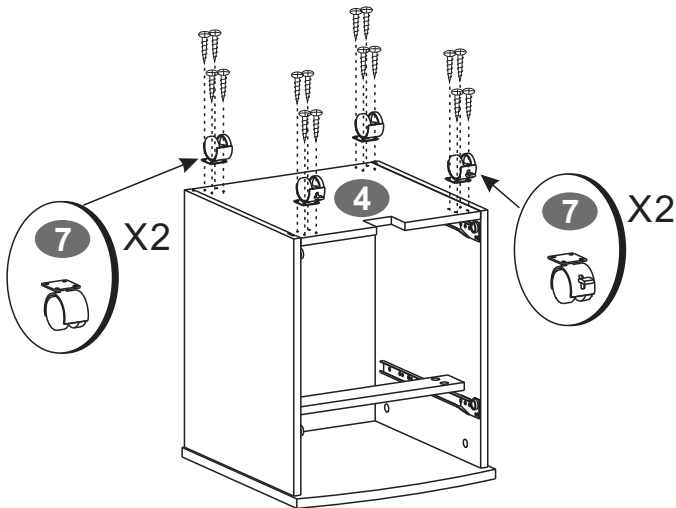
4PCS

K 8X30 MM

4PCS



7

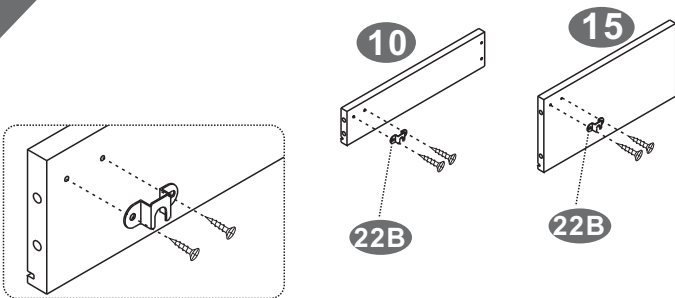


SCREWS

C 4X14 MM

16PCS

8

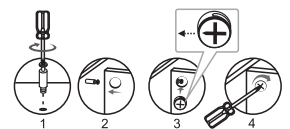
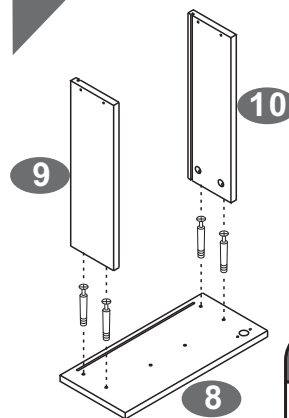


SCREWS

H 3X12 MM

4PCS

9



SCREWS

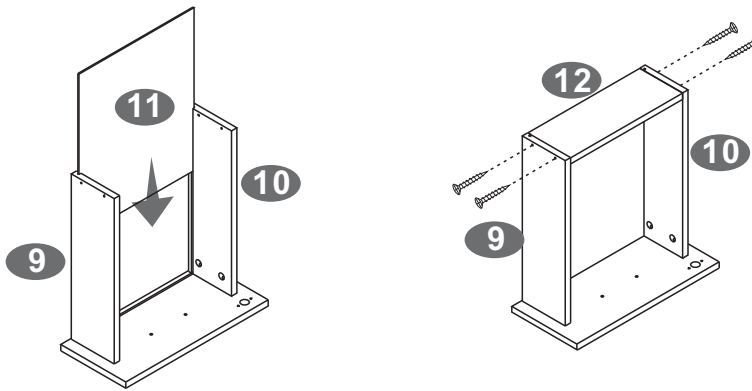
G 6X25 MM

4PCS

J Φ 12 MM

4PCS

10



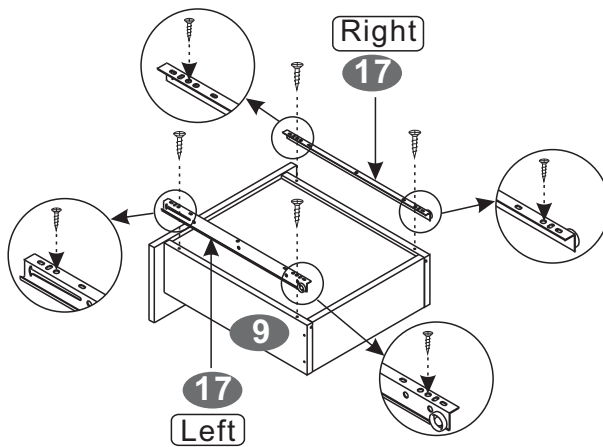
SCREWS

D 4X35 MM

4PCS



11



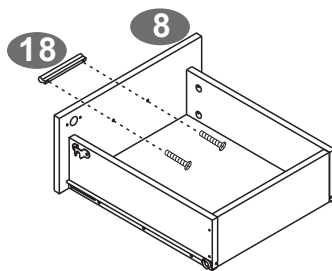
SCREWS

F 3X15 MM

4PCS



12



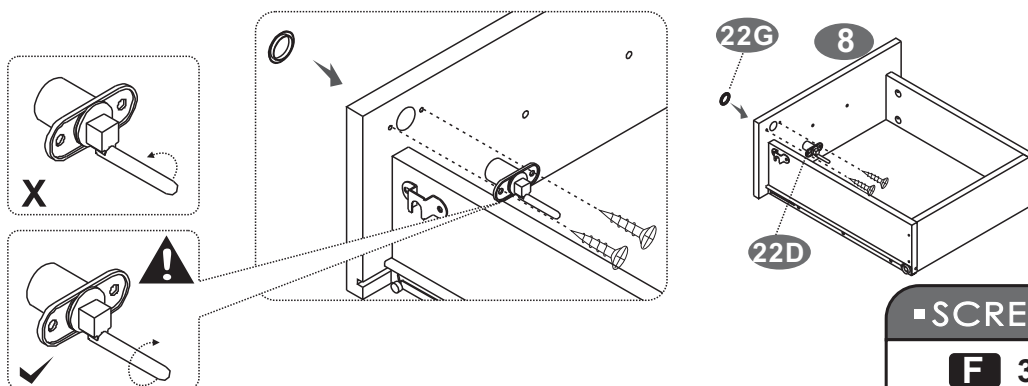
SCREWS

E 4X22 MM

2PCS



13



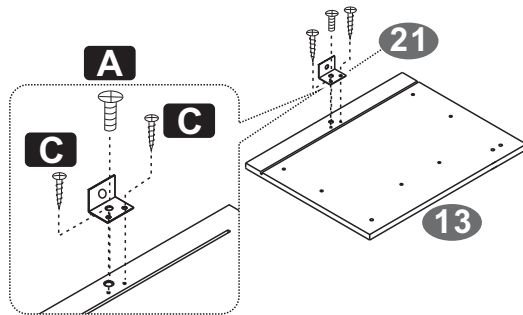
SCREWS

F 3X15 MM

2PCS



14



■ SCREWS

C 4X14 MM

2PCS

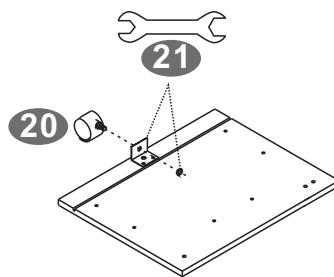


A 6X12 MM

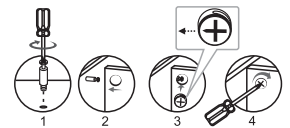
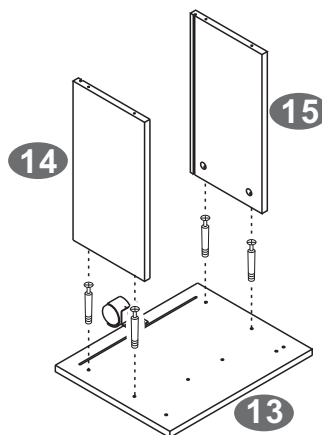
1PC



15



16



■ SCREWS

G 6X25 MM

4PCS

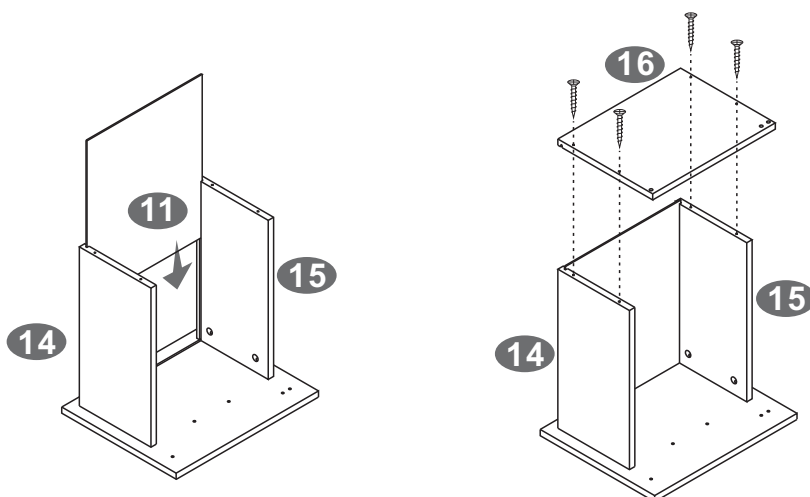


J Φ 12 MM

4PCS



17



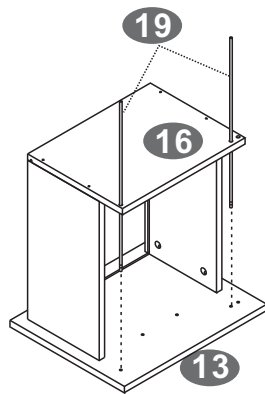
■ SCREWS

D 4X35 MM

4PCS

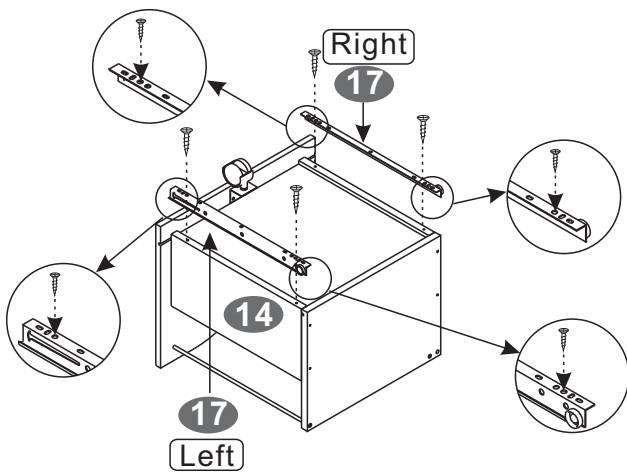


18



⚠ Be careful not to overtighten the metal rod

19



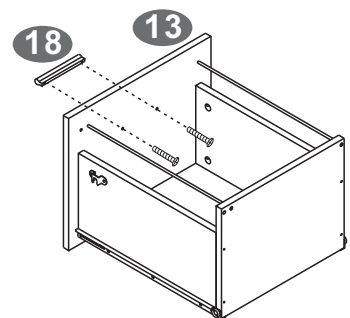
▪ SCREWS

F 3X15 MM

 4PCS



20



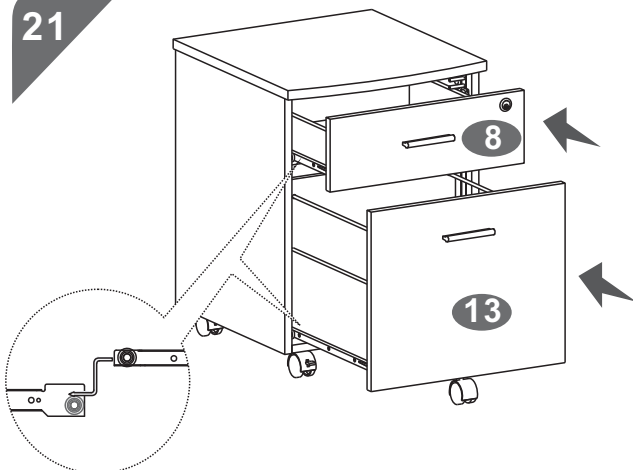
▪ SCREWS

E 4X22 MM

 2PCS



21



22

